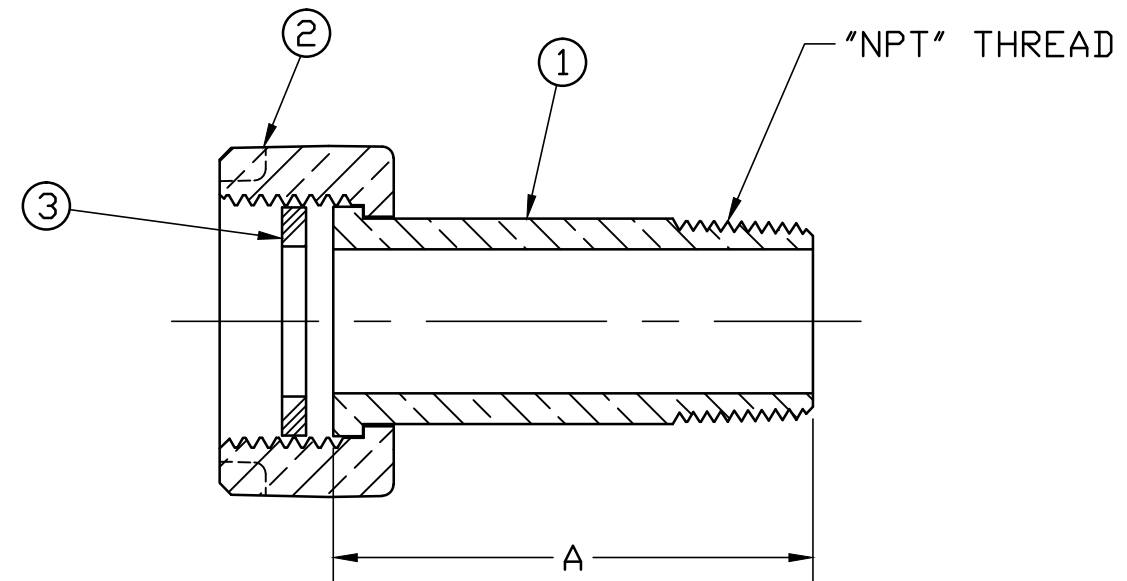


No.	QTY.	DESCRIPTION	MATERIAL
1	1	TAILPIECE	CAST LOW LEAD BRASS ALLOY
2	1	COUPLING NUT	CAST BRASS ASTM B62 ALLOY C83600
3	1	RUBBER GASKET	NITRILE ASTM D2000

METER COUP. SIZE	"A"	NPT SIZE
3/4	TO BE SPECIFIED	3/4
1		1



FILEPATH: PRDD-ENG\JJ\SUBMITTAL\E130

						DRFTR	RWB	2/4/10	JAMES JONES CO. UNLESS OTHERWISE NOTED SURFACE PREPARATION: BREAK CORNER(S) ----- .000 SURFACE FINISH -- XX RMS TOLERANCE(S): LINEAR ----- ± .000 ANGULAR ----- ± 0°00'		THIRD ANGLE PROJECTION	
						CHKR						
						ENGR					REF. No.	SCALE
						MGR						
								BY	DATE			
						STK No:						
						MAT'L:						
						DESCR.		METER COUPLING LLB (METER SWIVEL NUT x MIP)		PART NUMBER E130		
REV	ECR	DESCRIPTION	DATE	BY	CHKR							

PART NUMBER
E130
 JJ-MRKTG