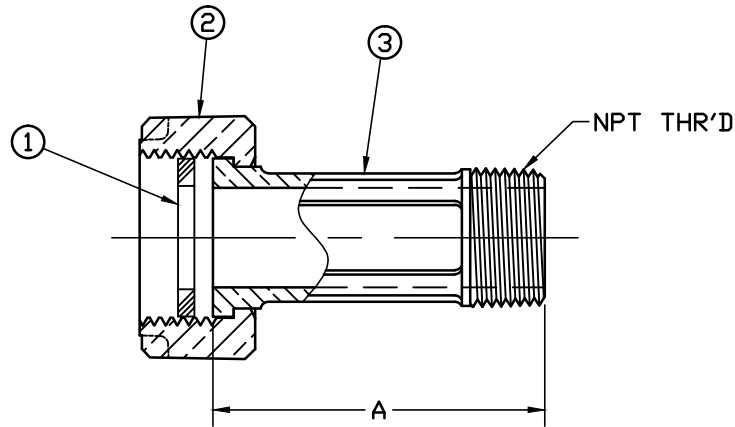


No.	DESCRIPTION	MATERIAL
1	RUBBER GASKET	NITRILE D2000
2	COUP. NUT	CAST BRASS ASTM B62 ALLOY C83600
3	TAILPIECE	CAST LOW LEAD BRASS ALLOY



METER COUP. SIZE	A	NPT SIZE
5/8 x 3/4 x 3/4	2.500	3/4
1	2.625	1
1-1/4	2.641	1-1/4
1-1/2	2.844	1-1/2
2	3.031	2

FILEPATH: PROD-ENG\JJ\SUBMITTALS\E134

						DRFTR	RWB	2/17/10	JAMES JONES CO.	
						CHKR				
						ENGR				
						MGR			UNLESS OTHERWISE NOTED	
									THIRD ANGLE PROJECTION	
									SURFACE PREPARATION:	
									BREAK CORNER(S) ---- .000	
									SURFACE FINISH -- 000 RMS	
									REF. No.	SCALE
										NONE
									TOLERANCE(S):	
									LINEAR ----- ± .000	
									ANGULAR ----- ± 0°00'	
									STK No:	
									MAT'L:	
									DESCR.	
									LLB METER COUPLING (METER x MIP)	
									PART NUMBER	
									E134	
									PER EST NO: DXXXX EST FIN WT = 0.0000 lbs	

PART NUMBER
E134
442-MRKTG