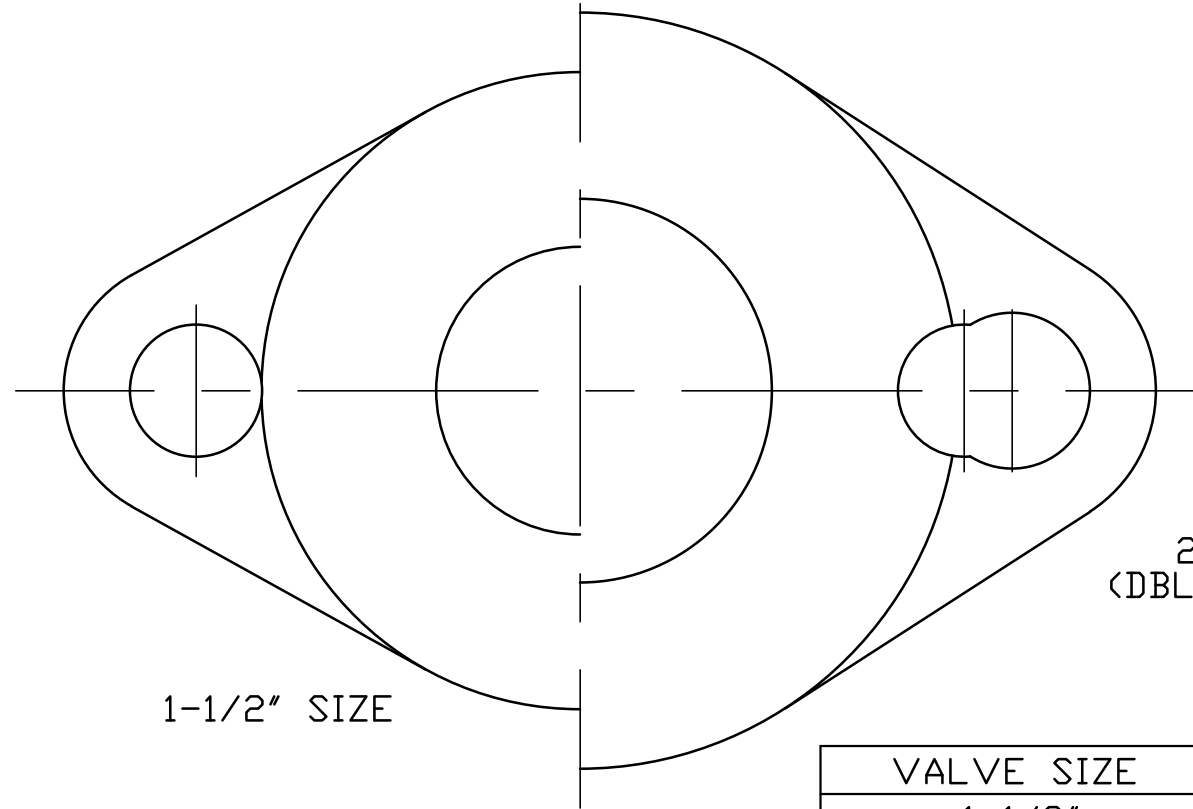


NPT THREADS

No.	DESCRIPTION	MATERIAL
1	KEY CAP	CAST BRASS ASTM B62 ALLOY C83600
2	PIN	BRASS ASTM B16 ALLOY C36000
3	SPRING WASHER	PHOS BRONZE
4	O-RING	EPDM ASTM D2000
5	KEY	CAST LOW LEAD BRASS ALLOY
6	BODY	CAST LOW LEAD BRASS ALLOY



2" SIZE  
(DBL DRILLED)

1-1/2" SIZE

VALVE SIZE	A	B
1-1/2"	1-13/16"	2-9/16"
2"	2-3/16"	2-7/8"

FILEPATH: PRDD-ENG\JJ\SUBMITTALS\E1527F

						DRFTR	RWB	2/4/10	<b>JAMES JONES CO.</b> UNLESS OTHERWISE NOTED SURFACE PREPARATION: BREAK CORNER(S) ---- .000 SURFACE FINISH -- XX RMS TOLERANCE(S): LINEAR ----- ± .000 ANGULAR ----- ± 0°00'		THIRD ANGLE PROJECTION	
						CHKR						
						ENGR					REF. No.	SCALE
						MGR						
								BY	DATE			
								STK No:				
								MAT'L:				
								DESCR.	GROUND KEY LLB ANGLE METER VALVE (FIP x METER FLANGE)			
REV	ECR	DESCRIPTION	DATE	BY	CHKR					PART NUMBER	E1527F	

PART NUMBER  
E1527F  
JJ-MRKTNG