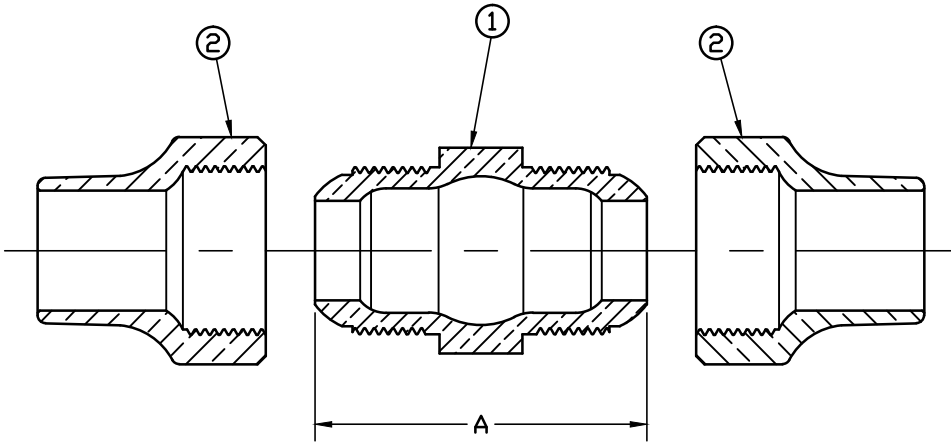


No.	DESCRIPTION	MATERIAL
1	SPUD	CAST LOW LEAD BRASS ALLOY
2	CS NUT	CAST BRASS ASTM B62 ALLOY C83600



SIZE	A
3/4	2.500
3/4 x 1	2.938
1	2.938
1-1/2	4.062
2	4.892

FILEPATH: PRODD-ENG\JAMESJONES\ASYSUBMITTALS\E1528

DRFTR	RWB	4/14/10	JAMES JONES CO.		
CHKR					
ENGR					
MGR			UNLESS OTHERWISE NOTED		
			THIRD ANGLE PROJECTION		
			SURFACE PREPARATION:		
			BREAK CORNER(S) ---- .000		
			SURFACE FINISH -- 000 RMS		
			TOLERANCE(S):		
			LINEAR ----- ± .000		
			ANGULAR ----- ± 0°00'		
			BY	DATE	
			STK No:		
			MAT'L:		
			DESCR.		
REV	ECR	DESCRIPTION	DATE	BY	CHKR
PER EST NO: DXXXX EST FIN WT = 0.0000 lbs					
STRAIGHT THREE PART UNION			PART NUMBER		
LOW LEAD BRASS CS x CS			E1528		

PART NUMBER
E1528
JJ-MRKTG