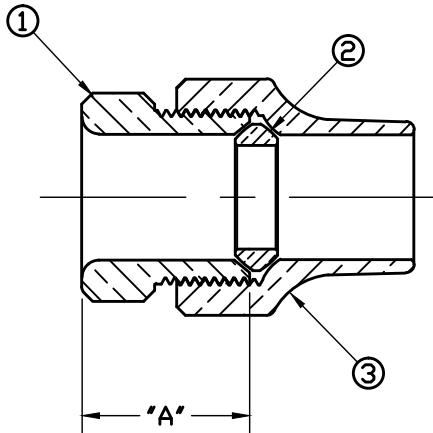


No.	DESCRIPTION	MATERIAL
1	SPUD	CAST LOW LEAD BRASS ALLOY
2	CONNECTING RING	LOW LEAD BRASS ALLOY
3	COPPER TUBE NUT	CAST BRASS ASTM B62 ALLOY C83600



SIZE	A
3/4	1-7/32"
1	1-15/32"
1-1/2	1-27/32"

FILEPATH: PRODD-ENG\JJ\SUBMITTALS\E1529

						DRFTR	JGarvin	6/7/10	<b>JAMES JONES CO.</b>	
						CHKR				
						ENGR				
						MGR				
							BY	DATE	UNLESS OTHERWISE NOTED	THIRD ANGLE PROJECTION
									SURFACE PREPARATION:	
									BREAK CORNER(S) ---- .000	REF. No.
									SURFACE FINISH -- XX RMS	
									TOLERANCE(S):	FULL
									LINEAR ----- ± .000	
									ANGULAR ----- ± 0°00'	
									PART NUMBER	
									E1529	
REV	ECR	DESCRIPTION	DATE	BY	CHKR	DESCR.				
						TWO PART UNION				
						LOW LEAD BRASS (CS x I/S CS)				

PART NUMBER  
E1529  
JJ-MRKTG