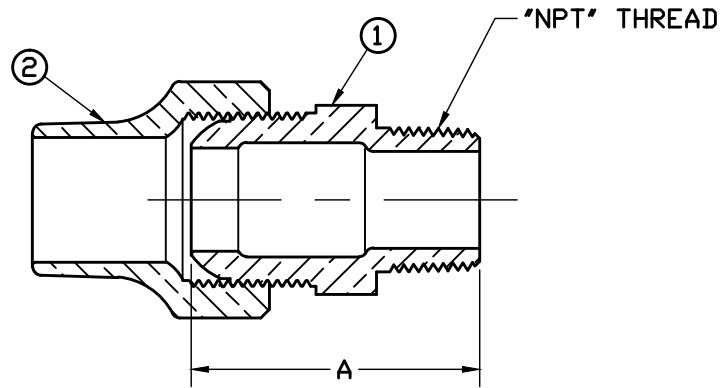


No.	DESCRIPTION	MATERIAL
1	SPUD	CAST LOW LEAD BRASS ALLOY
2	COPPER TUBE NUT	CAST BRASS ASTM B62 ALLOY C83600



SIZE	A	NPT SIZE
3/4	2-3/32"	3/4"
3/4x1	2-3/8"	1"
1	2-29/64"	1"
1x3/4	2-17/32"	3/4"
1-1/2	3-11/32"	1-1/2"
2	3-63/64"	2"

PART NUMBER
E1531
JJ-MRKTG

FILEPATH: PRODD-ENG\JJ\SUBMITTALS\E1531

						DRFTR jGarvir 12/1/09	JAMES JONES CO.		
						CHKR			UNLESS OTHERWISE NOTED SURFACE PREPARATION: BREAK CORNER(S) ---- .000 SURFACE FINISH -- XX RMS TOLERANCE(S): LINEAR ----- ± .000 ANGULAR ----- ± 0°00'
						ENGR			
						MGR			
						BY	DATE	THIRD ANGLE PROJECTION 	
						STK No:		REF. No.	
						MAT'L:		SCALE	
						DESCR.	STRAIGHT COUPLING SERVICE FITTING LOW LEAD BRASS (CS x MIP)		
REV	ECR	DESCRIPTION	DATE	BY	CHKR			PART NUMBER E1531	