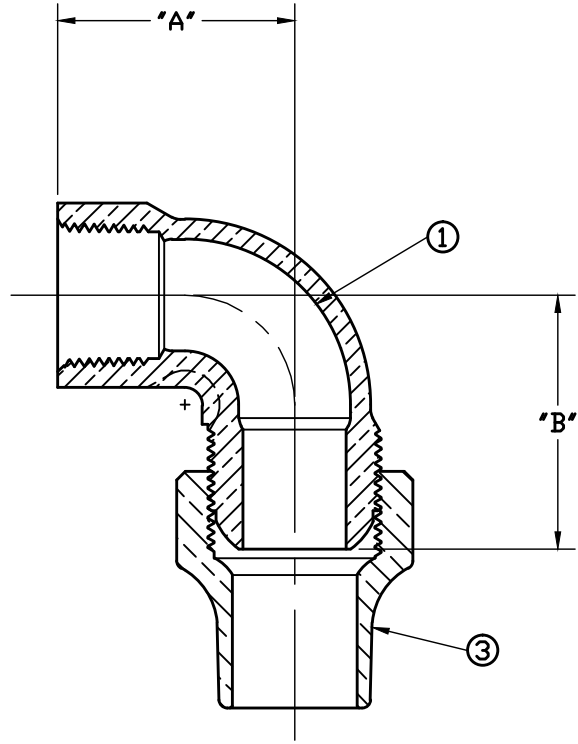


No.	DESCRIPTION	MATERIAL
1	SPUD	CAST LOW LEAD BRASS ALLOY
2	COPPER TUBE NUT	CAST BRASS ASTM B62 ALLOY C83600



SIZE	A	B
3/4	1-23/32"	1-27/32"
1	2"	2"
1-1/2	2-19/32"	3-1/8"
2	2-3/4"	3-1/2"

PART NUMBER  
E1536  
JJ-MRKTG

FILEPATH: PRODD-ENG\JJ\SUBMITTALS\E1536

						DRFTR	JGarvin	12/1/09	<b>JAMES JONES CO.</b>		
						CHKR					
						ENGR					
						MGR					
							BY	DATE	UNLESS OTHERWISE NOTED	THIRD ANGLE PROJECTION	
									SURFACE PREPARATION:		
									BREAK CORNER(S) ---- .000		
									SURFACE FINISH -- XX RMS	REF. No.	SCALE
									TOLERANCE(S):		FULL
									LINEAR ----- ± .000		
									ANGULAR ----- ± 0°00'		
									STK No:	PART NUMBER	
									MAT'L:	E1536	
									DESCR. CORPORATION STOP COUPLING QUARTER BEND LOW LEAD BRASS (FIP x CS)		
REV	ECR	DESCRIPTION	DATE	BY	CHKR						