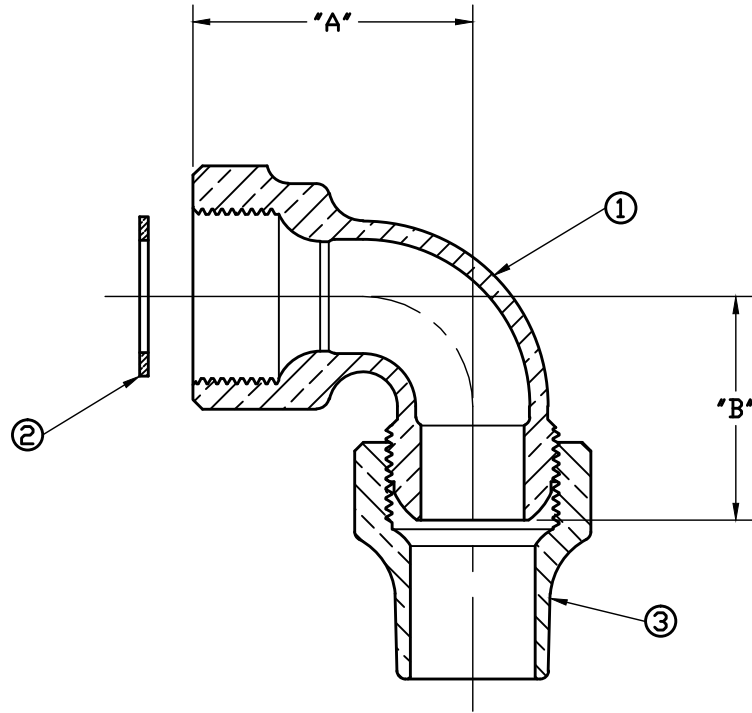


No.	DESCRIPTION	MATERIAL
1	SPUD	CAST LOW LEAD BRASS ALLOY
2	WASHER	COPPER ASTM B152 ALLOY C11000
3	COPPER TUBE NUT	CAST BRASS ASTM B62 ALLOY C83600



SIZE	A	B
3/4	2-1/32"	1-5/8"
1	2-5/16"	2-1/8"
1-1/2	3-1/16"	3-1/2"
2	3-15/16"	3-3/4"

PART NUMBER
E1548
JJ-MRKTG

FILEPATH: PRODD-ENG\JJ\SUBMITTALS\E1548

						DRFTR	JGarvin	9/25/09	JAMES JONES CO.		
						CHKR					
						ENGR					
						MGR					
							BY	DATE	UNLESS OTHERWISE NOTED	THIRD ANGLE PROJECTION	
									SURFACE PREPARATION:		
									BREAK CORNER(S) ---- .000		
									SURFACE FINISH -- XX RMS	REF. No.	SCALE
									TOLERANCE(S):		FULL
									LINEAR ----- ± .000		
									ANGULAR ----- ± 0°00'		
									STK No:	PART NUMBER	
									MAT'L:	E1548	
									DESCR.		
									CORPORATION STOP COUPLING QUARTER BEND		
									LOW LEAD BRASS (CS" COUPLING x CS)		
REV	ECR	DESCRIPTION	DATE	BY	CHKR						