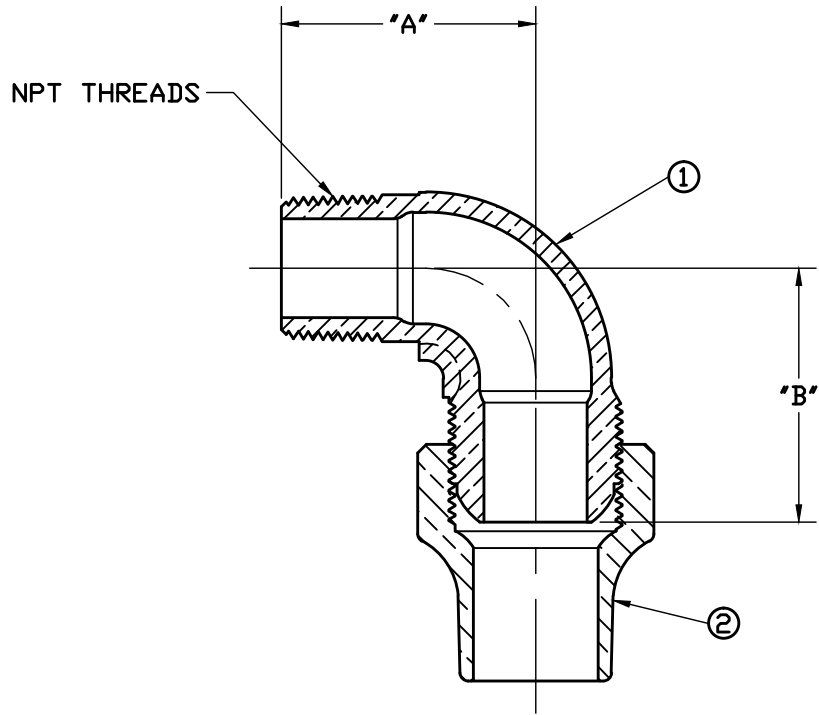


No.	DESCRIPTION	MATERIAL
1	SPUD	CAST LOW LEAD BRASS ALLOY
2	COPPER TUBE NUT	CAST BRASS ASTM B62 ALLOY C83600



SIZE	A	B
3/4	1-27/32"	1-27/32"
1	2"	2"
1-1/2	3-3/8"	3-1/4"
2	3-7/8"	3-1/2"

PART NUMBER
E1550
JJ-MRKTG

FILEPATH: PRODD-ENG\JJ\SUBMITTALS\E1550

						DRFTR	JGarvin	9/25/09	JAMES JONES CO.	
						CHKR				
						ENGR				
						MGR				
							BY	DATE	UNLESS OTHERWISE NOTED	
									THIRD ANGLE PROJECTION	
									SURFACE PREPARATION:	
									BREAK CORNER(S) ---- .000	
									SURFACE FINISH -- XX RMS	
									TOLERANCE(S):	
									LINEAR ----- ± .000	
									ANGULAR ----- ± 0°00'	
									REF. No.	SCALE
										FULL
									PART NUMBER	
									E1550	
REV	ECR	DESCRIPTION	DATE	BY	CHKR	DESCR.				
						CORPORATION STOP COUPLING QUARTER BEND				
						LOW LEAD BRASS (MIP x CS)				