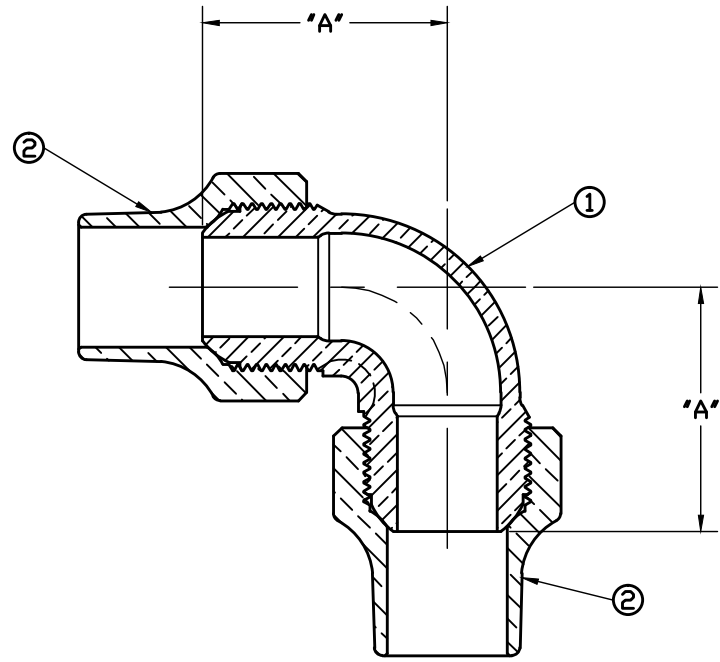


No.	DESCRIPTION	MATERIAL
1	SPUD	CAST LOW LEAD BRASS ALLOY
2	COPPER TUBE NUT	CAST BRASS ASTM B62 ALLOY C83600



SIZE	A
3/4	1-27/32"
1	2-1/16"
1-1/2	3-1/4"
2	4"

FILEPATH: PRODD-ENG\JJ\SUBMITTALS\E1552

PART NUMBER
E1552
JJ-MRKTG

						DRFTR JGarvin 5/3/10	JAMES JONES CO.		
						CHKR			UNLESS OTHERWISE NOTED SURFACE PREPARATION: BREAK CORNER(S) ----- .000 SURFACE FINISH -- XX RMS TOLERANCE(S): LINEAR ----- ± .000 ANGULAR ----- ± 0°00'
						ENGR			
						MGR			
						BY	DATE	THIRD ANGLE PROJECTION REF. No. SCALE	
						STK No		FULL	
						MAT'L:			
						DESCR.	QUARTER BEND THREE PART UNION LOW LEAD BRASS (COPPER FLARE NUT - BOTH ENDS)	PART NUMBER E1552	
REV	ECR	DESCRIPTION	DATE	BY	CHKR				