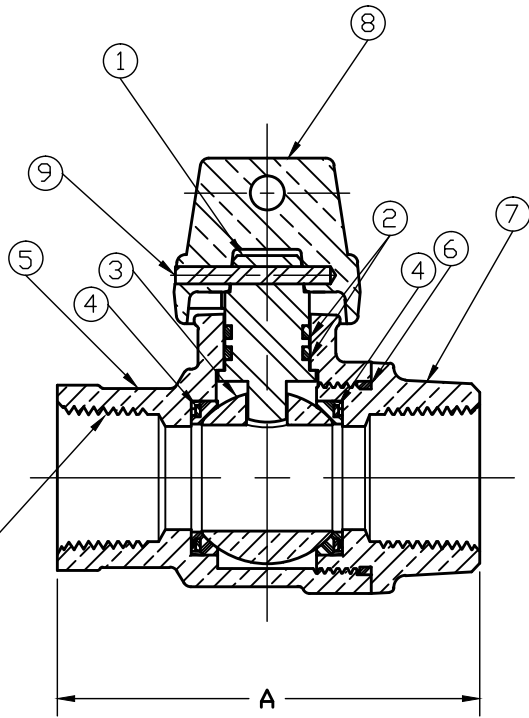


No.	DESCRIPTION	MATERIAL
1	STEM	LOW LEAD BRASS ALLOY
2	O-RING	EPDM ASTM D2000
3	BALL	LOW LEAD BRASS ALLOY
4	GASKET - SEAL	NITRILE ASTM D2000
5	BODY	CAST LOW LEAD BRASS ALLOY
6	O-RING	EPDM ASTM D2000
7	END PIECE	CAST LOW LEAD BRASS ALLOY
8	CAP	CAST BRASS ASTM B62 ALLOY C83600
9	SOLID PIN	AISI 303 STAINLESS STEEL

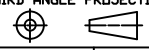


VALVE SIZE	A	NPT SIZE
3/4"	3-1/16"	3/4"
1"	3-31/32"	1"
1-1/2"	4-1/8"	1-1/2"
2"	4-15/16"	2"

"NPT" (EACH END)

FILEPATH: PRDD-ENG/JJ/SUBMITTALS/E1900

PART NUMBER
E1900
JJ-MRKTG

						DRFTR JGarvin	10/8/09	JAMES JONES CO.	
						CHKR			
						ENGR			
						MGR			
						BY	DATE	UNLESS OTHERWISE NOTED SURFACE PREPARATION: BREAK CORNER(S) ---- .000 SURFACE FINISH -- XX RMS TOLERANCE(S): LINEAR ----- ± .000 ANGULAR ----- ± 0°00'	
						STK No:			
						MAT'L:		THIRD ANGLE PROJECTION  REF. No. SCALE	
						DESCR.			
REV	ECR	DESCRIPTION	DATE	BY	CHKR	BALL TYPE CURB VALVE LOW LEAD BRASS (FIP - BOTH ENDS)			PART NUMBER E1900