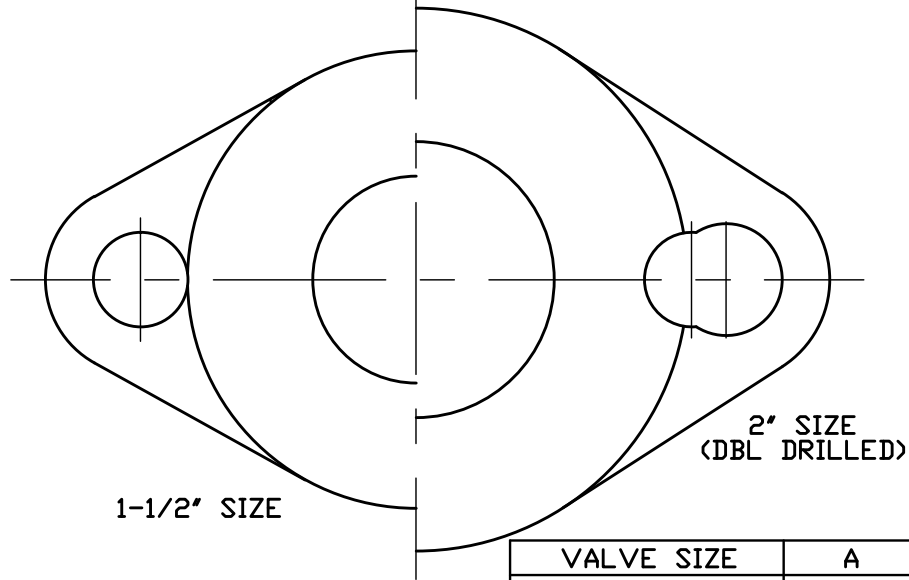


No.	DESCRIPTION	MATERIAL DESCRIPTION
1	BODY	CAST LOW LEAD BRASS ALLOY
2	CAP	CAST BRASS ASTM B62 ALLOY C83600
3	STEM	LOW LEAD BRASS ALLOY
4	BALL	LOW LEAD BRASS ALLOY
5	GASKET	NITRILE ASTM D2000
6	SOLID PIN	AISI 304 ANNEALED STAINLESS STEEL
7	O-RING	EP ASTM D2000
8	END PIECE	CAST LOW LEAD BRASS ALLOY
9	O-RING	EP ASTM D2000



VALVE SIZE	A	NPT SIZE
1-1/2"	4-3/4"	1-1/2"
2"	5-3/4"	2"

FILEPATH: PROD-ENG\JJ\SUBMITTALS\E1912WS

DRFTR	RWB	6/9/08	JAMES JONES CO.				
CHKR							
ENGR							
MGR							
		BY	DATE	UNLESS OTHERWISE NOTED SURFACE PREPARATION: BREAK CORNER(S) ---- .000 SURFACE FINISH -- XX RMS TOLERANCE(S): LINEAR ----- ± .000 ANGULAR ----- ± 0°00'			
		STK No:					
		MAT'L:		THIRD ANGLE PROJECTION REF. No. SCALE			
		DESCR.		PART NUMBER			
REV	ECR	DESCRIPTION	DATE	BY	CHKR	CAST LOW LEAD BRASS(FIP x METER FLANGE)	E1912WS

PART NUMBER
E1912WS
JJ-MRKTNG