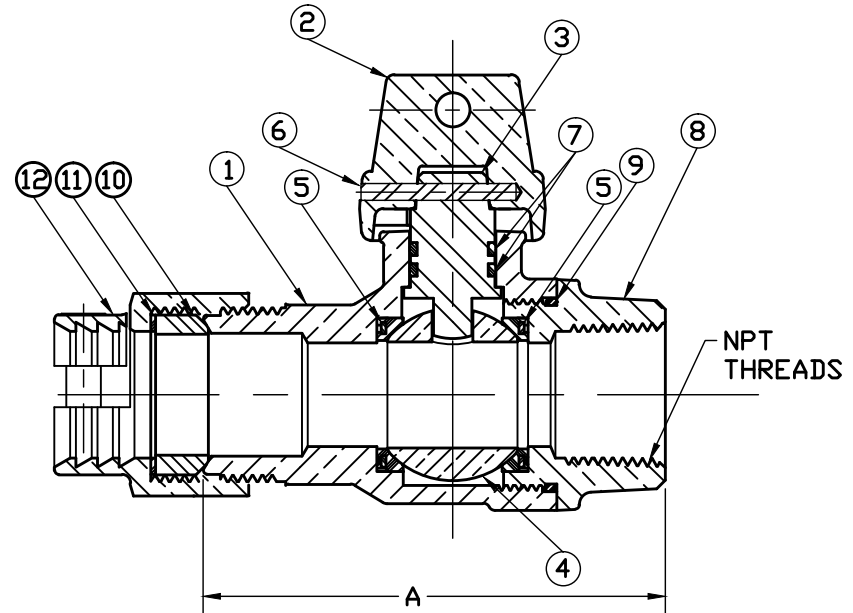


No.	DESCRIPTION	MATERIAL DESCRIPTION
1	BODY	CAST LOW LEAD BRASS ALLOY
2	CAP	CAST BRASS ASTM B62 ALLOY C83600
3	STEM	LOW LEAD BRASS ALLOY
4	BALL	LOW LEAD BRASS ALLOY
5	GASKET	ASTM D2000 (NITRILE)
6	SOLID PIN	AISI 303 STAINLESS STEEL
7	O-RING	ASTM D2000 (EP)
8	END PIECE	CAST LOW LEAD BRASS ALLOY
9	O-RING	ASTM D2000 (EP)
10	PJ GASKET	BUNA-N ASTM D2000
11	PJ WASHER	POLYPROPYLENE
12	CLPG NUT SUB	CAST BRASS ASTM B62 ALLOY C83600

SIZE	A
3/4"	3.36
1"	4.52
1-1/2"	4.69
2"	5.22



FILEPATH: PROD-ENG/JJ/SUBMITTALS/E1921

						DRFTR JGarvin	3/1/10	Mueller Co.	
						CHKR			
						ENGR			
						MGR			
						BY	DATE	UNLESS OTHERWISE NOTED	
						STK No:		THIRD ANGLE PROJECTION	
						MAT'L:		SURFACE PREPARATION:	
						DESCR.		BREAK CORNER(S) ---- .000	
								SURFACE FINISH --XX RMS	
								TOLERANCE(S):	
								LINEAR ----- ± .000	
								ANGULAR ----- ± 0°00'	
REV	ECR	DESCRIPTION	DATE	BY	CHKR	BALL TYPE CURB VALVE LOW LEAD BRASS (PJ CTS x FIP)			PART NUMBER E1921

PART NUMBER
E1921
JJ-MRKTG