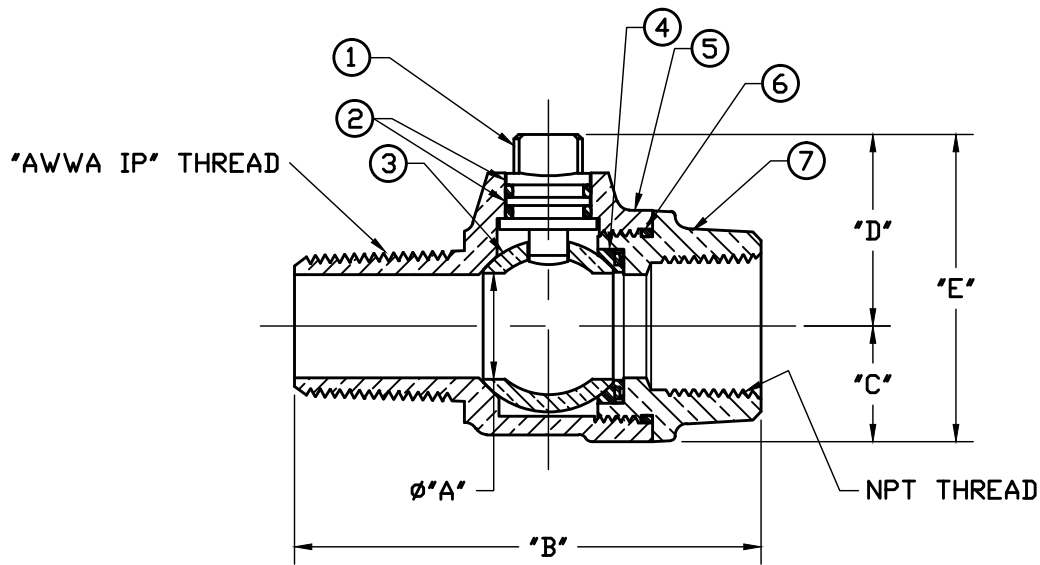


No.	QTY.	DESCRIPTION	MATERIAL
1	1	STEM	LOW LEAD BRASS ALLOY
2	2	O-RING	EPDM D2000
3	1	BALL	LOW LEAD BRASS ALLOY
4	1	GASKET - SEAL	NITRILE D2000
5	1	BODY	CAST LOW LEAD BRASS ALLOY
6	1	O-RING	EPDM D2000
7	1	END PIECE	CAST LOW LEAD BRASS ALLOY



SIZE	ϕA	B	C	D	E
3/4	.75	3.38	.84	1.36	2.20
3/4x1	.75	3.62	.84	1.39	2.23
1	1.00	4.11	1.15	1.56	2.71
1-1/2	1.50	4.78	1.50	2.12	3.62
2	2.00	5.33	1.82	2.44	4.26

PART NUMBER
E1931
JJ-MRKTG

FILEPATH: PRDD-ENG\JJ\SUBMITTALS\E1931

						DRFTR Garvin 12/14/09	JAMES JONES CO.		
						CHKR			UNLESS OTHERWISE NOTED SURFACE PREPARATION: BREAK CORNER(S) ---- .000 SURFACE FINISH -- XX RMS TOLERANCE(S): LINEAR ----- ± .000 ANGULAR ----- ± 0°00'
						ENGR			
						MGR			
						BY DATE	THIRD ANGLE PROJECTION REF. No. SCALE		
						STK No:	PART NUMBER		
						MAT'L:	E1931		
						DESCR.	BALL TYPE CORPORATION VALVE LOW LEAD BRASS ('MIP' x FIP)		
REV	ECR	DESCRIPTION	DATE	BY	CHKR				