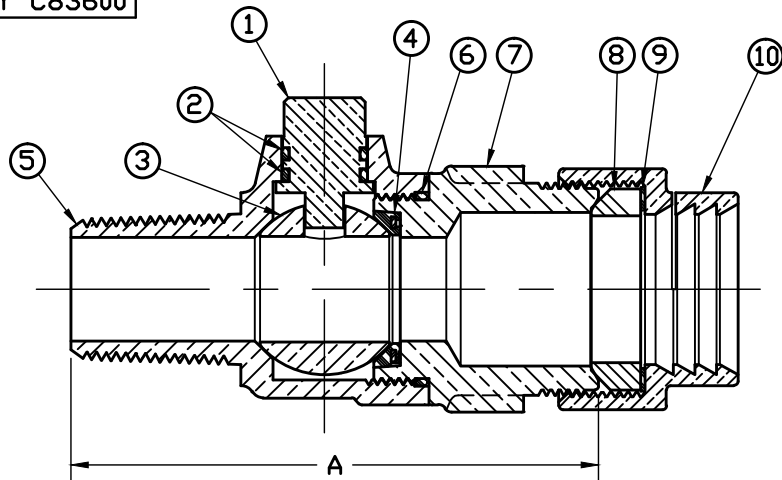


No.	DESCRIPTION	MATERIAL
1	VALVE STEM	LOW LEAD BRASS ALLOY
2	O-RING	EP ASTM D2000
3	BALL	LOW LEAD BRASS ALLOY
4	RUBBER GASKET	RUBBER CODE R80
5	VALVE BODY	CAST LOW LEAD BRASS ALLOY
6	O-RING	EP ASTM D2000
7	END PIECE	CAST LOW LEAD BRASS ALLOY
8	COMP GASKET	RUBBER CODE R93
9	PJ WASHER	POLYPROPYLENE
10	PJ CPLNG NUT	CAST BRASS ASTM B62 ALLOY C83600

SIZE	A
3/4"	3.83
1"	4.37
1-1/2"	5.50
2"	6.57



FILEPATH: PROD-ENG\JJ\SUBMITTALS\E1936

						DRFTR   Garvin   2/3/10	<b>JAMES JONES CO.</b>			
						CHKR			UNLESS OTHERWISE NOTED SURFACE PREPARATION: BREAK CORNER(S) ---- .000 SURFACE FINISH -- XX RMS TOLERANCE(S): LINEAR ----- ± .000 ANGULAR ----- ± 0°00'	
						ENGR				THIRD ANGLE PROJECTION REF. No.    SCALE
						MGR				
						BY	DATE			
						STK No:				
						MAT'L:				
						DESCR.				
						BALL TYPE CORPORATION VALVE LOW LEAD BRASS<"MIP" x PJ IPS)		PART NUMBER E1936		
REV	ECR	DESCRIPTION	DATE	BY	CHKR					

PART NUMBER  
E1936  
JJ-MRKTG