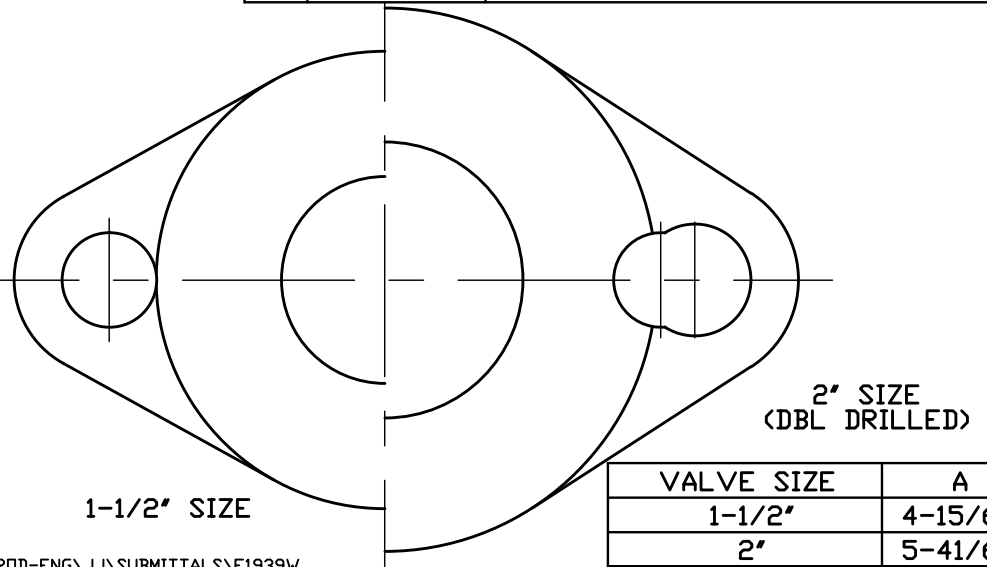
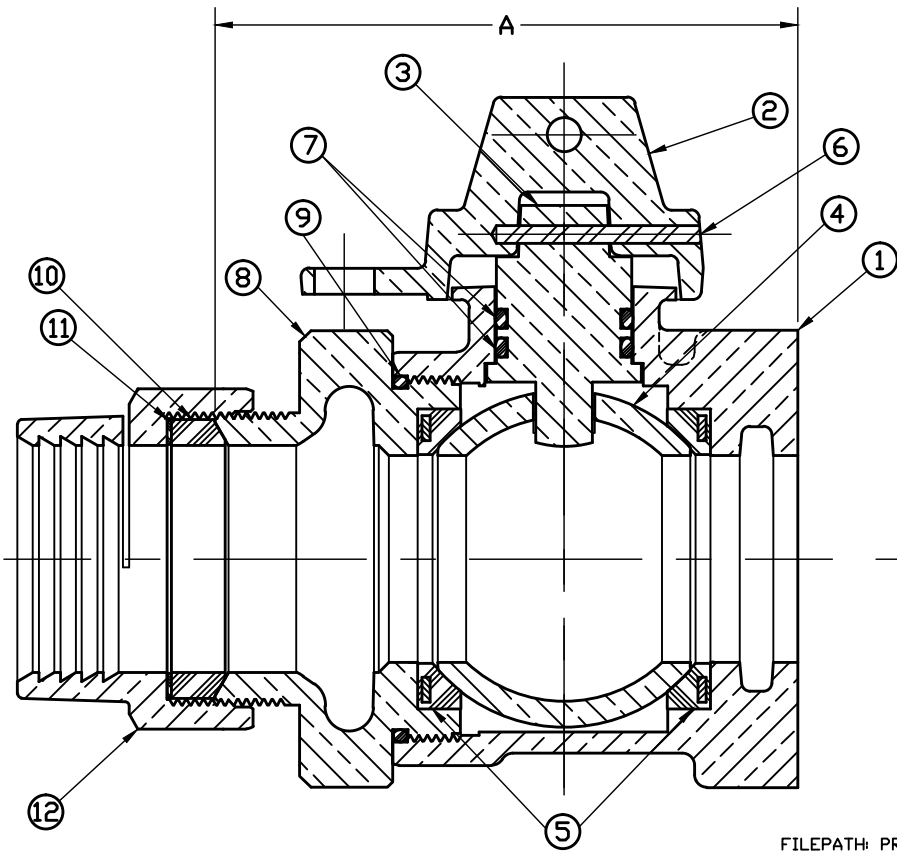


No.	DESCRIPTION	MATERIAL DESCRIPTION
1	BODY	CAST LOW LEAD BRASS ALLOY
2	CAP	CAST BRASS ASTM B62 ALLOY C83600
3	STEM	LOW LEAD BRASS ALLOY
4	BALL	LOW LEAD BRASS ALLOY
5	GASKET	NITRILE ASTM D2000
6	SOLID PIN	AISI 304 ANNEALED STAINLESS STEEL
7	O-RING	EP ASTM D2000
8	END PIECE	CAST LOW LEAD BRASS ALLOY
9	O-RING	EP ASTM D2000
10	PJ GSKT	BUNA-N ASTM D2000
11	PJ WASHER	POLYPROPYLENE
12	CLPG NUT	CAST BRASS ASTM B62 ALLOY C83600



VALVE SIZE	A
1-1/2"	4-15/64"
2"	5-41/64"

FILEPATH: PROD-ENG\JJ\SUBMITTALS\E1939W

DRF TR	JGarvin	9/4/09	JAMES JONES CO. UNLESS OTHERWISE NOTED SURFACE PREPARATION: BREAK CORNER(S) ---- .000 SURFACE FINISH -- XX RMS TOLERANCE(S): LINEAR ----- ± .000 ANGULAR ----- ± 0°00'	THIRD ANGLE PROJECTION			
CHKR				REF. No.	SCALE		
ENGR							
MGR							
	BY	DATE	STK No:				
			MAT'L:				
			DESCR.	PART NUMBER			
REV	ECR	DESCRIPTION	DATE	BY	CHKR	BALL STRAIGHT METER VALVE LOW LEAD BRASS(PJ CTS × METER FLANGE)	E1939W

PART NUMBER
E1939W
JJ-MRKING