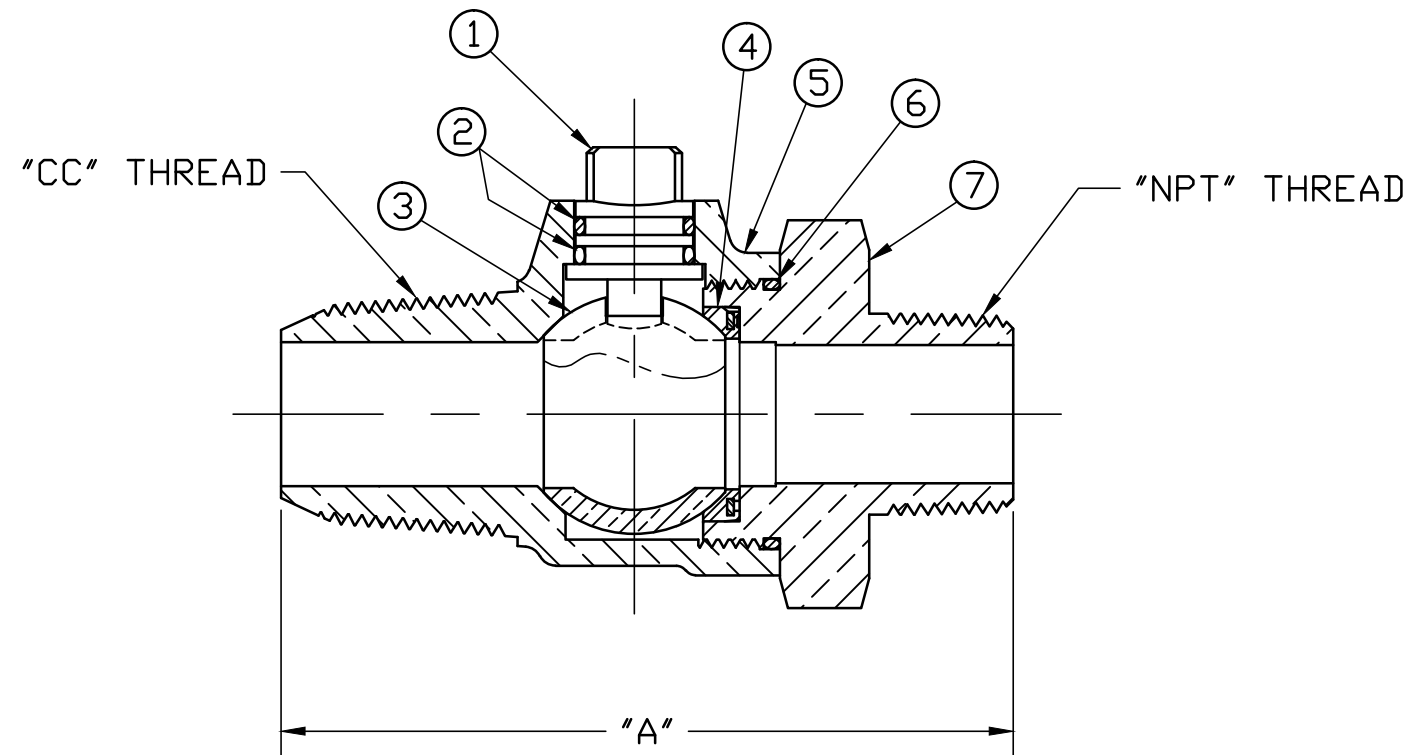


No.	DESCRIPTION	MATERIAL
1	STEM	LOW LEAD BRASS ALLOY
2	O-RING	EPDM D2000
3	BALL	LOW LEAD BRASS ALLOY
4	GASKET - SEAL	NITRILE D2000
5	BODY	CAST LOW LEAD BRASS ALLOY
6	O-RING	EPDM D2000
7	END PIECE	CAST LOW LEAD BRASS ALLOY



VALVE SIZE	A	NPT SIZE
3/4	3-13/16"	3/4"
1	4-33/64"	1"
1-1/2	5-53/64"	1-1/2"
2	6-13/32"	2"

PART NUMBER
E1944
JJ-MRKTG

FILEPATH: PROD-ENG\JAMESJONES\SUBMITTALS\E1944

						DRFTR	RWB	2/4/10	JAMES JONES CO.		
						CHKR					
						ENGR					
						MGR					
									UNLESS OTHERWISE NOTED	THIRD ANGLE PROJECTION	
									SURFACE PREPARATION:		
									BREAK CORNER(S) ---- .000		
									SURFACE FINISH -- XX RMS	REF. No.	SCALE
									TOLERANCE(S):		
									LINEAR ----- ± .000		
									ANGULAR ----- ± 0°00'		
									STK No:		
									MAT'L:		
									DESCR.		
									BALL TYPE LLB CORPORATION VALVE	PART NUMBER	
									(AWWA TAPER x MIP)	E1944	
REV	ECR	DESCRIPTION	DATE	BY	CHKR						