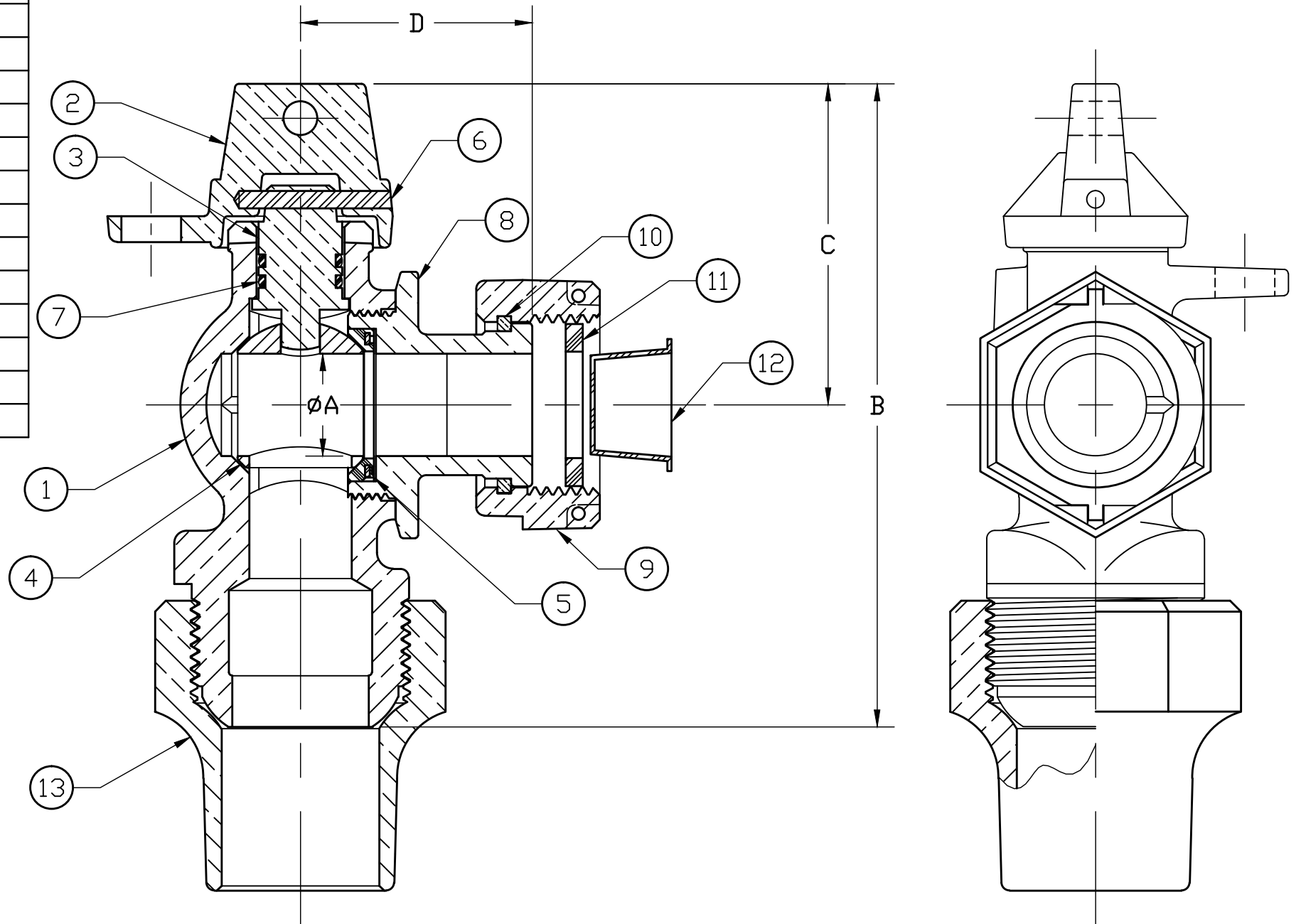


ITEM	REQ'D	DESCRIPTION	MATERIAL
1	1	BODY	CAST LOW LEAD BRASS ALLOY
2	1	CAP	CAST BRASS ASTM B62 ALLOY C38600
3	1	STEM	CAST LOW LEAD BRASS ALLOY
4	1	BALL	CAST LOW LEAD BRASS ALLOY
5	2	GASKET	RUBBER D-2000 NITRILE (BUNA-N)
6	1	SPIRODL PIN	ST. STEEL A-240 TYPE 304
7	2	O-RING	RUBBER D-2000 CODE R-80
8	1	END PIECE	CAST LOW LEAD BRASS ALLOY
9	1	METER NUT	CAST BRASS ASTM B62 ALLOY C38600
10	1	SNAP RING	COPPER ALLOY CDA521
11	1	RUBBER GASKET	RUBBER D-2000 CODE R-9
12	1	CAP PLUG	PLASTIC RED POLYETHYLENE
13	1	COPPER TUBE NUT	CAST BRASS ASTM B62 ALLOY C38600



SIZE	ϕA	B	C	D
5/8" x 3/4"	.75	4.33	2.35	1.69
5/8" x 3/4" x 3/4"	.75	4.33	2.35	1.69
5/8" x 3/4" x 1"	.75	4.71	2.35	1.69
1"	1.00	5.00	2.64	1.95

PART NUMBER
E1964W
JJ-MRKTG

FILEPATH: PROD-ENG\JJ\SUBMITTALS\E1964W

DRFTR	RWB	11/12/09	JAMES JONES CO.		
CHKR					
ENGR					
MGR					
			UNLESS OTHERWISE NOTED	THIRD ANGLE PROJECTION	
			SURFACE PREPARATION:		
			BREAK CORNER(S) ---- .000		
			SURFACE FINISH -- 000 RMS	REF. No.	
			TOLERANCE(S):	SCALE	
			LINEAR ----- ± .000	NONE	
			ANGULAR ----- ± 0°00'		
			STK No:		
			MAT'L:		
			DESCR.	PART NUMBER	
			ANGLE METER VALVE	E1964W	
			CS x METER		
REV	ECR	DESCRIPTION	DATE	BY	CHKR
PER EST NO: DXXXX EST FIN WT = 0.0000 lbs					