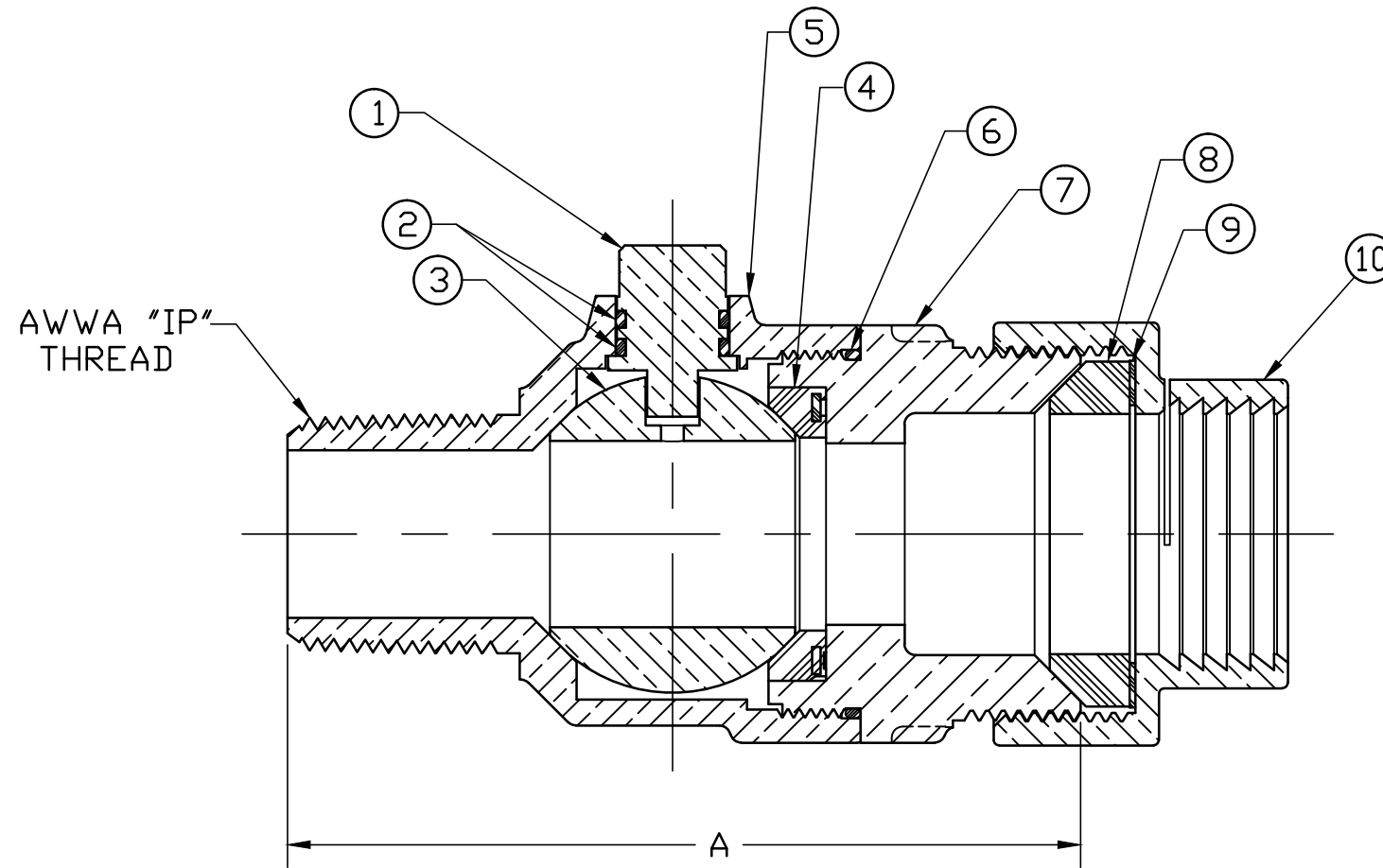


No.	DESCRIPTION	MATERIAL
1	STEM	CAST LOW LEAD BRASS ALLOY
2	O-RING	EPDM ASTM D2000
3	BALL	CAST LOW LEAD BRASS ALLOY
4	GASKET - SEAL	NITRILE ASTM D2000
5	BODY	CAST LOW LEAD BRASS ALLOY
6	O-RING	EPDM ASTM D2000
7	END PIECE	CAST LOW LEAD BRASS ALLOY
8	COMP GSKT	NITRILE ASTM D2000
9	WASHER	POLYPROPYLENE
10	CPLG NUT	CAST BRASS ASTM B62 ALLOY C83600



VALVE SIZE	A
3/4"	3-53/64"
1"	4-3/8"
1-1/2"	5-3/8"
2"	6-9/64"

PART NUMBER  
E1977  
JJ-MRKTNG

FILEPATH: PRD-ENG\JJ\SUBMITTALS\E1977

						DRFTR	RWB	2/5/10	<b>JAMES JONES CO.</b> UNLESS OTHERWISE NOTED SURFACE PREPARATION: BREAK CORNER(S) ---- .000 SURFACE FINISH -- XX RMS TOLERANCE(S): LINEAR ----- ± .000 ANGULAR ----- ± 0°00'		THIRD ANGLE PROJECTION	
						CHKR						
						ENGR					REF. No.	SCALE
						MGR						
									BY	DATE		
									STK No:			
									MAT'L:			
									DESCR.	BALL TYPE LLB CORPORATION VALVE ("IP" x PJ IPS PVC)		PART NUMBER E1977
REV	ECR	DESCRIPTION	DATE	BY	CHKR							