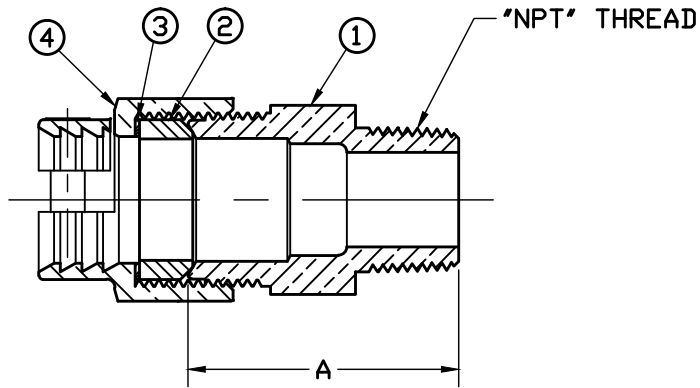


No.	DESCRIPTION	MATERIAL
1	SPUD	CAST LOW LEAD BRASS ALLOY
2	PJ GASKET	ASTM D2000 (BUNA N)
3	PJ WASHER	POLYPROPYLENE
4	CLPG NUT SUB	CAST BRASS ASTM B62 ALLOY C83600



SIZE	A	NPT SIZE
3/4	1-31/32"	3/4"
1x3/4	1-63/64"	3/4"
1	2-5/32"	1"
1-1/2	2-3/8"	1-1/2"
2	2-5/8"	2"

FILEPATH: PRODD-ENG\JJ\SUBMITTALS\E2605

						DRFTR	RWB	6/9/08	<b>JAMES JONES CO.</b>	
						CHKR				
						ENGR				
						MGR				
							BY	DATE	UNLESS OTHERWISE NOTED	
									THIRD ANGLE PROJECTION	
									SURFACE PREPARATION:	
									BREAK CORNER(S) ---- .000	
									SURFACE FINISH -- XX RMS	
									TOLERANCE(S):	
									LINEAR ----- ± .000	
									ANGULAR ----- ± 0°00'	
									REF. No.	
									SCALE	
									PART NUMBER	
									E2605	
REV	ECR	DESCRIPTION	DATE	BY	CHKR	DESCR. STRAIGHT COUPLING SERVICE FITTING (PJ CTS x MIP)				PART NUMBER
										E2605

PART NUMBER  
E2605  
JJ-MRKTG