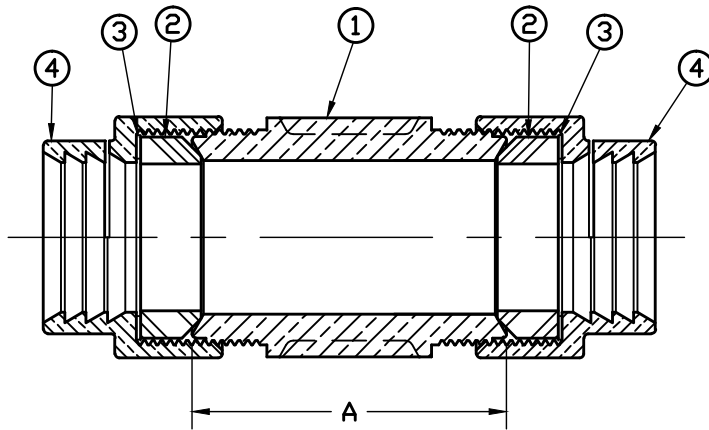


No.	DESCRIPTION	MATERIAL
1	SPUD	CAST LOW LEAD BRASS ALLOY
2	GASKET	NITRILE ASTM D2000
3	WASHER	POLYPROPYLENE
4	COUPLING NUT	CAST BRASS ASTM B62 ALLOY C83600



SIZE	A
3/4	2.28
1	2.64
1 1/2	3.35
2	2.95

PART NUMBER
E2610
JJ-MRKTNG

FILEPATH: PROD-ENG\JJ\SUBMITTALS\E2610

						DRFTR jGarvin 2/3/10	JAMES JONES CO.		
						CHKR			UNLESS OTHERWISE NOTED SURFACE PREPARATION: BREAK CORNER(S) ---- .000 SURFACE FINISH -- XX RMS TOLERANCE(S): LINEAR ----- ± .000 ANGULAR ----- ± 0°00'
						ENGR			
						MGR			
						BY	DATE		
						STK No:		THIRD ANGLE PROJECTION	
						MAT'L:		REF. No.	
						DESCR.		SCALE	
								NONE	
REV	ECR	DESCRIPTION	DATE	BY	CHKR	STRAIGHT SERVICE FITTING LOW LEAD BRASS (IPS PJ x IPS PJ)		PART NUMBER E2610	