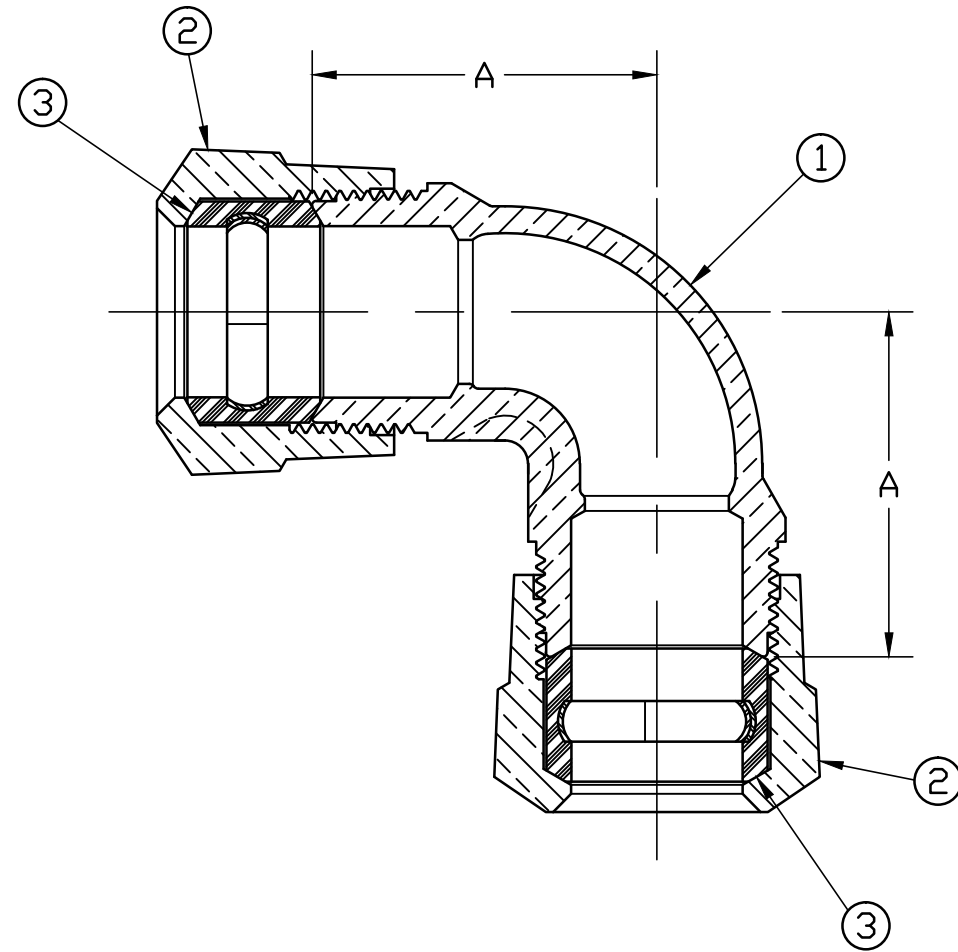


No.	DESCRIPTION	MATERIAL
1	SPUD	CAST LOW LEAD BRASS ALLOY
2	CONN. NUT	CAST BRASS ASTM B62 ALLOY C83600
3	CTS GSKT SUB	SBR ASTM D2000 - GSKT 410 _{SS} - BAND



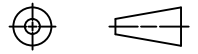
SIZE	A
3/4	1-51/64"
1	2"
1-1/2	2-3/4"
2	3-3/32"

FILEPATH: PRODD-ENG\JJ\SUBMITTALS\E2611SG

DRFTR	RWB	2/5/10
CHKR		
ENGR		
MGR		
BY	DATE	

JAMES JONES CO.

UNLESS OTHERWISE NOTED
 SURFACE PREPARATION:
 BREAK CORNER(S) ----- .000
 SURFACE FINISH -- XX RMS
 TOLERANCE(S):
 LINEAR ----- ± .000
 ANGULAR ----- ± 0°00'

THIRD ANGLE PROJECTION

 REF. No. SCALE

STK No:

MAT'L:

DESCR.

QUARTER BEND UNION LLB SERVICE FITTING
 (110 CTS x 110 CTS)

PART NUMBER
 E2611SG

REV	ECR	DESCRIPTION	DATE	BY	CHKR

PART NUMBER
 E2611SG
 JJ-MRKTG