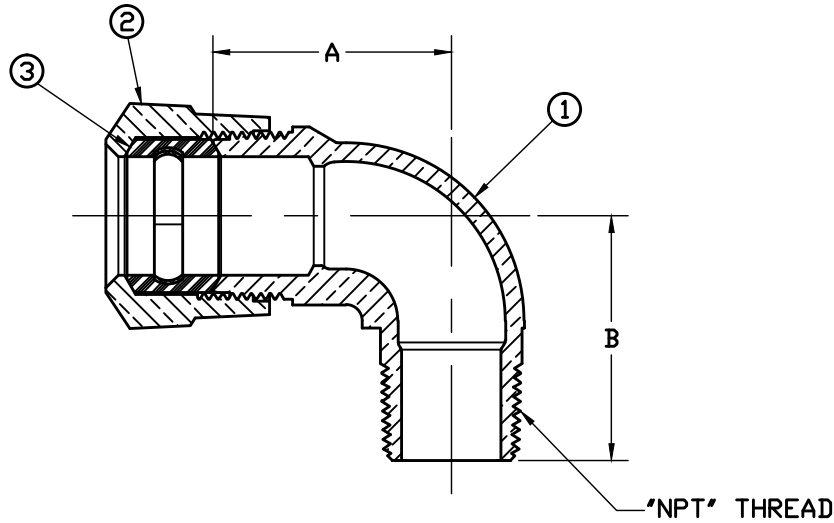


No.	DESCRIPTION	MATERIAL
1	SPUD	CAST LOW LEAD BRASS ALLOY
2	CONN. NUT	CAST BRASS ASTM B62 ALLOY C83600
3	CTS GSKT SUB	SBR ASTM D2000 - GSKT 410ss - BAND



SIZE	A	B	NPT SIZE
3/4	1-51/64"	1-27/32"	3/4"
1	2"	2"	1"
1-1/2	2-3/4"	2-5/8"	1-1/2"
2	3-3/32"	2-31/32"	2"

FILEPATH: PRODD-ENG\JJ\SUBMITTALS\E2619SG

						DRFTR	RWB	7/27/09	JAMES JONES CO.	
						CHKR				
						ENGR			UNLESS OTHERWISE NOTED SURFACE PREPARATION: BREAK CORNER(S) ----- .000 SURFACE FINISH -- XX RMS TOLERANCE(S): LINEAR ----- ± .000 ANGULAR ----- ± 0°00'	
						MGR				
									REF. No.	SCALE
									PART NUMBER	
									E2619SG	
REV	ECR	DESCRIPTION	DATE	BY	CHKR	DESCR.				
						QUARTER BEND UNION SERVICE FITTING (MIP x 110 CTS) LOW LEAD BRASS				

PART NUMBER
E2619SG
JJ-MRKTG