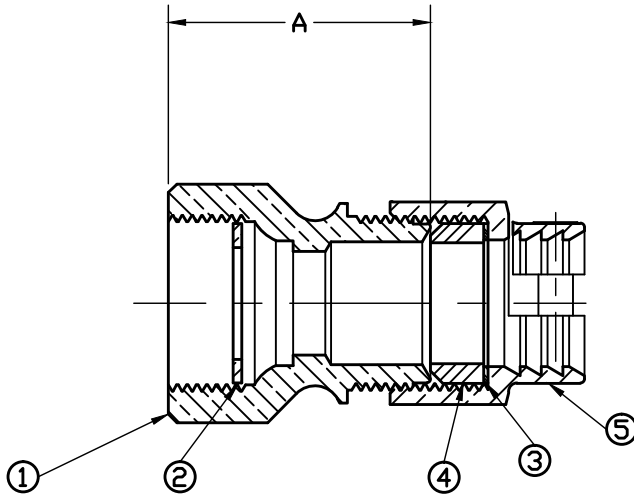


No.	DESCRIPTION	MATERIAL
1	SPUD	CAST LOW LEAD BRASS ALLOY
2	COPPER GASKET	COPPER ASTM B152 ALLOY C11000
3	PJ GASKET	ASTM D2000 (BUNA N)
4	PJ WASHER	POLYPROPYLENE
5	PJ CPLG NUT	CAST BRASS ASTM B62 ALLOY C83600



SIZE	A
3/4	1-29/32"
3/4x1	2-21/64"
1	2-33/64"

PART NUMBER  
E2623  
JJ-MRKTG

FILEPATH: PRODD-ENG\JJ\SUBMITTALS\E2623

						DRFTR JGarvin	9/25/09	<b>JAMES JONES CO.</b>		
						CHKR				
						ENGR				
						MGR				
						BY	DATE	UNLESS OTHERWISE NOTED	THIRD ANGLE PROJECTION	
								SURFACE PREPARATION:		
								BREAK CORNER(S) ---- .000		
								SURFACE FINISH -- 000 RMS	REF. No.	SCALE
								TOLERANCE(S):		FULL
								LINEAR ----- ± .000		
								ANGULAR ----- ± 0°00'		
								STK No:		
								MAT'L:		
								DESCR.		PART NUMBER
								CORPORATION STOP COUPLING		E2623
REV	ECR	DESCRIPTION	DATE	BY	CHKR			LOW LEAD BRASS (CS COUPLING x CS)		