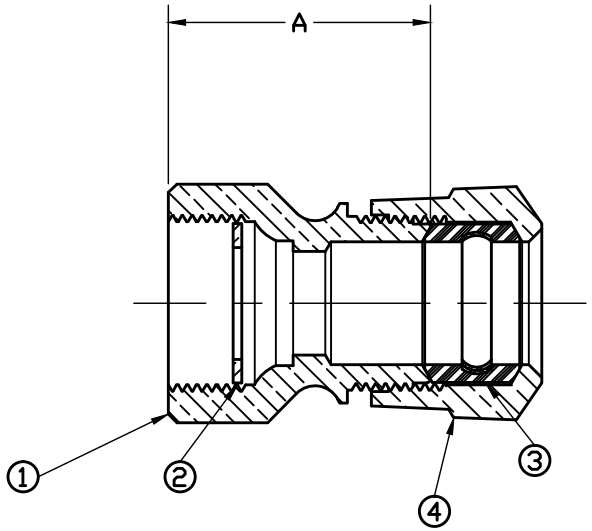


No.	DESCRIPTION	MATERIAL
1	SPUD	CAST LOW LEAD BRASS ALLOY
2	COPPER GASKET	COPPER ASTM B152 ALLOY C11000
3	CTS GSKT SUB	SBR ASTM D2000 -GSKT 410ss -BAND
4	CONNX NUT	CAST BRASS ASTM B62 ALLOY C83600



SIZE	A
3/4	1-29/32"
3/4x1	2-21/64"
1	2-33/64"

FILEPATH: PRODD-ENG\JJ\SUBMITTALS\E2623SG

						DRFTR	JGarvin	3/11/10	<b>JAMES JONES CO.</b>	
						CHKR				
						ENGR				
						MGR				
							BY	DATE	UNLESS OTHERWISE NOTED	
									THIRD ANGLE PROJECTION	
									SURFACE PREPARATION:	
									BREAK CORNER(S) ---- .000	
									SURFACE FINISH -- XX RMS	
									TOLERANCE(S):	
									LINEAR ----- ± .000	
									ANGULAR ----- ± 0°00'	
									REF. No.	
									SCALE	
									FULL	
									PART NUMBER	
									E2623SG	
REV	ECR	DESCRIPTION	DATE	BY	CHKR	CORPORATION STOP COUPLING				
						LOW LEAD BRASS ('CS' COUPLING x 110CTS)				

PART NUMBER  
E2623SG  
JJ-MRKTG