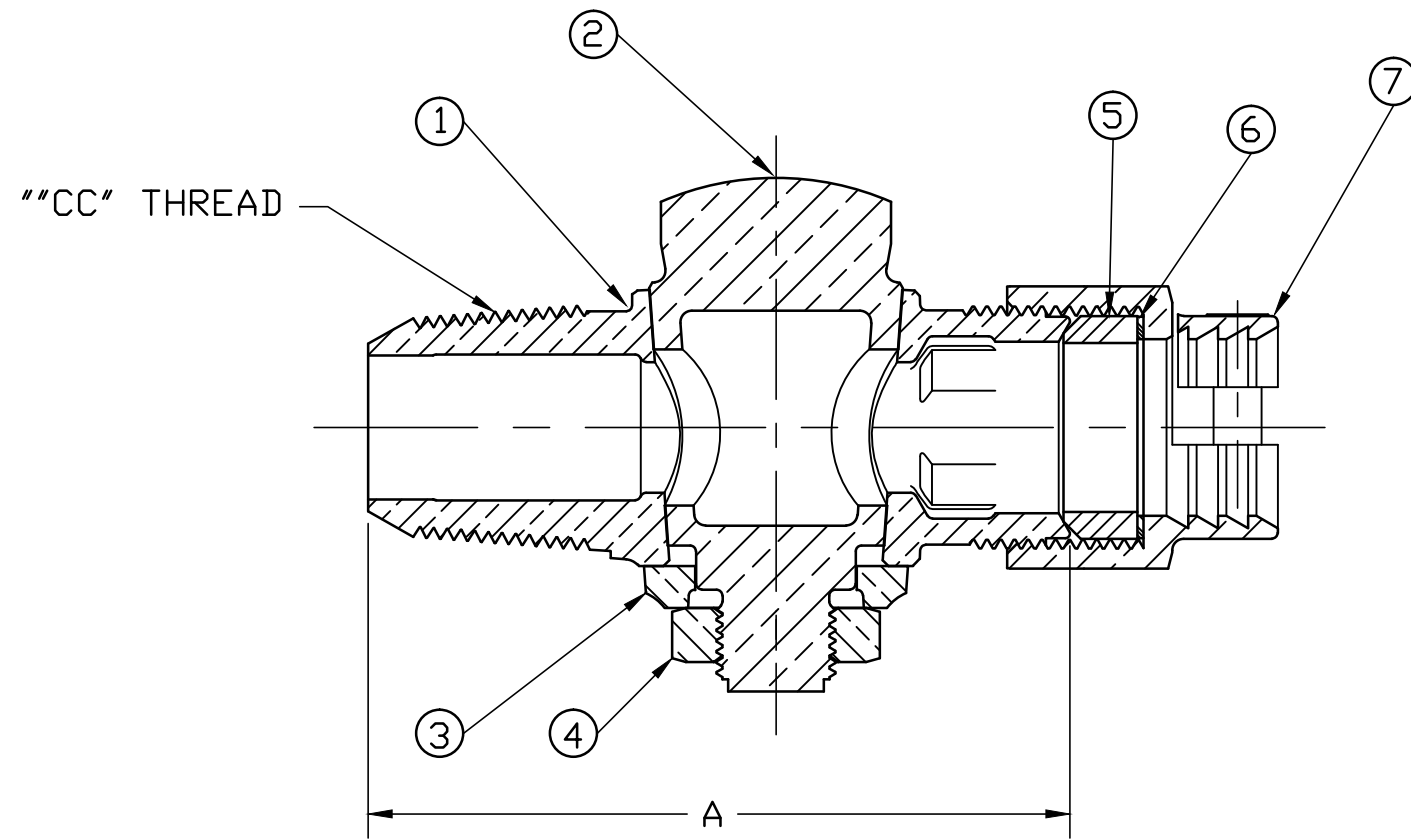


No.	DESCRIPTION	MATERIAL
1	BODY	CAST LOW LEAD BRASS ALLOY
2	KEY	CAST LOW LEAD BRASS ALLOY
3	KEY WASHER	CAST BRASS ASTM B62 ALLOY C83600
4	KEY NUT	CAST BRASS ASTM B62 ALLOY C83600
5	PJ GASKET	BUNA-N ASTM D2000
6	PJ WASHER	POLYPROPYLENE
7	COUP NUT SUB	CAST BRASS ASTM B62 ALLOY C83600



VALVE SIZE	A
3/4"	3-21/32"
3/4x1"	4-3/16"
1"	4-5/16"

PART NUMBER  
E3401  
JJ-MRKTG

FILEPATH: PROD-ENG\JJ\SUBMITTALS\E3401

						DRFTR	RWB	2/5/10	<b>JAMES JONES CO.</b>		
						CHKR					
						ENGR					
						MGR					
									UNLESS OTHERWISE NOTED	THIRD ANGLE PROJECTION	
									SURFACE PREPARATION:		
									BREAK CORNER(S) ---- .000		
									SURFACE FINISH -- XX RMS	REF. No.	SCALE
									TOLERANCE(S):		
									LINEAR ----- ± .000		
									ANGULAR ----- ± 0°00'		
									STK No:		
									MAT'L:		
									DESCR.	GROUND KEY LLB CORPORATION VALVE (AWWA TAPER x PJ CTS)	
REV	ECR	DESCRIPTION	DATE	BY	CHKR						