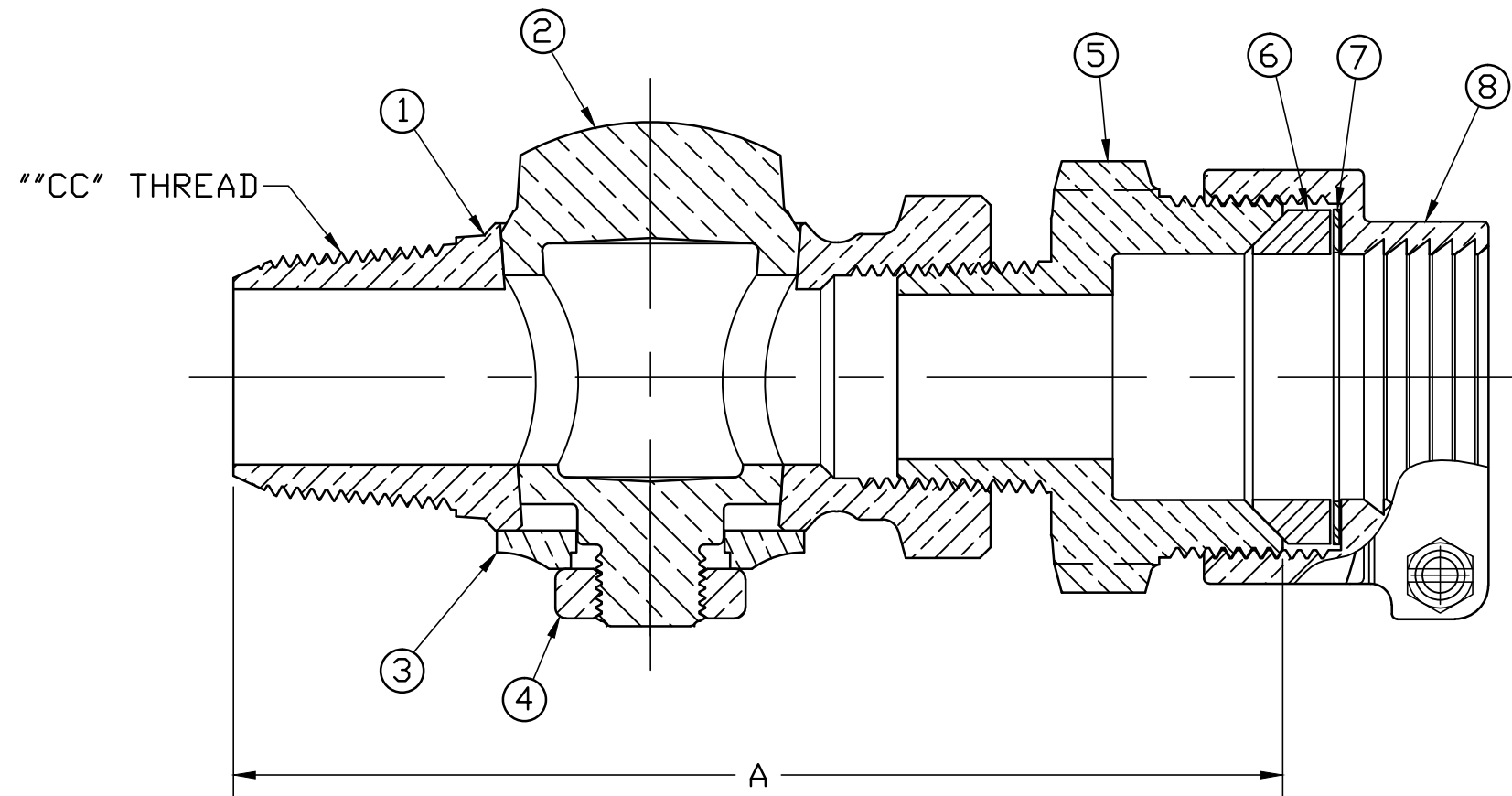


No.	DESCRIPTION	MATERIAL
1	BODY	CAST LOW LEAD BRASS ALLOY
2	KEY	CAST LOW LEAD BRASS ALLOY
3	KEY WASHER	CAST BRASS ASTM B62 ALLOY C83600
4	KEY NUT	CAST BRASS ASTM B62 ALLOY C83600
5	SPUD	CAST LOW LEAD BRASS ALLOY
6	COMPRESSION GASKET	BUNA N ASTM D2000
7	WASHER	POLYPROPYLENE PLASTIC
8	COUPLING NUT	CAST BRASS ASTM B62 ALLOY C83600



VALVE SIZE	A
1"	5.98

FILEPATH: PROD-ENG\JJ\SUBMITTALS\E3402

						DRFTR	RWB	2/26/10	JAMES JONES CO.	
						CHKR				
						ENGR			UNLESS OTHERWISE NOTED THIRD ANGLE PROJECTION	
						MGR				
									BY	DATE
									SURFACE PREPARATION:	
									BREAK CORNER(S) ---- .000	
									SURFACE FINISH -- XX RMS	
									TOLERANCE(S):	
									LINEAR ----- ± .000	
									ANGULAR ----- ± 0°00'	
									STK No:	
									MAT'L:	
									DESCR. GROUND KEY LLB CORPORATION VALVE (AWWA TAPER x PJ IPS PE)	
									PART NUMBER E3402	
REV	ECR	DESCRIPTION	DATE	BY	CHKR					

PART NUMBER
E3402
JJ-MRKTG