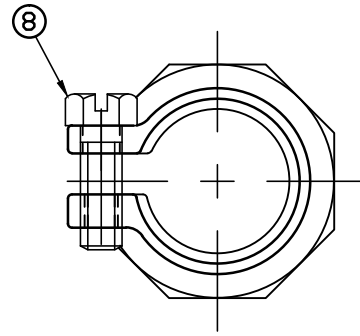
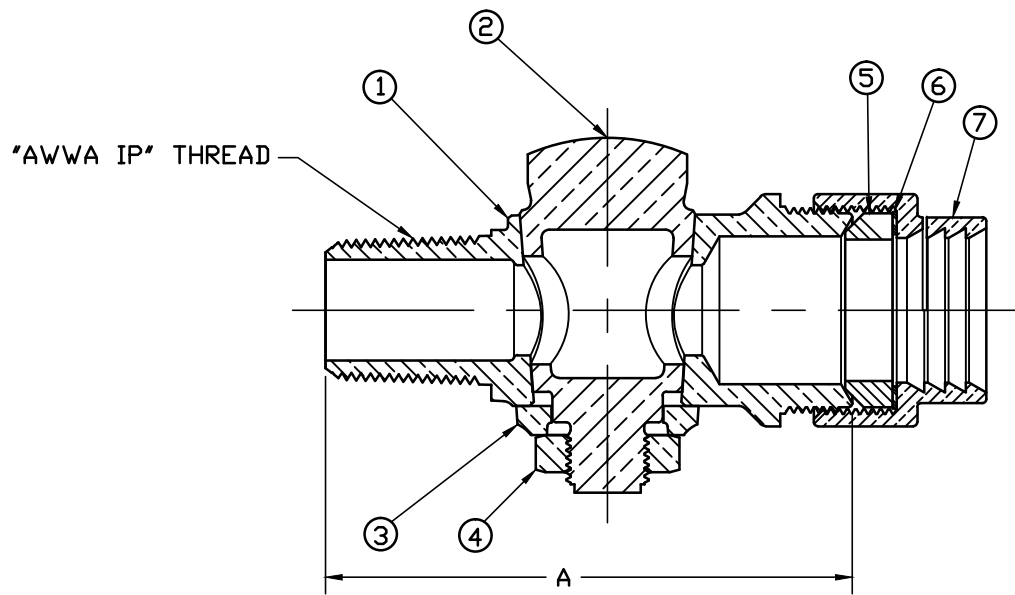


No.	DESCRIPTION	MATERIAL
1	BODY	CAST LOW LEAD BRASS ALLOY
2	KEY	CAST LOW LEAD BRASS ALLOY
3	KEY WASHER	CAST BRASS ASTM B62 ALLOY C83600
4	KEY NUT	CAST BRASS ASTM B62 ALLOY C83600
5	COMP GASKET	RUBBER CODE R93
6	WASHER	POLYPROPYLENE
7	COUPLING NUT	CAST BRASS ASTM B62 ALLOY C83600
8	CAP SCREW	304 STAINLESS STEEL



VALVE SIZE	A
3/4"	3.97
1"	5.98

PART NUMBER
E3404
JJ-MRKTG

FILEPATH: PROD-ENG\JJ\SUBMITTALS\E3404

					DRFTR	RWB	3/2/10	JAMES JONES CO.	
					CHKR				
					ENGR				
					MGR				
								UNLESS OTHERWISE NOTED	THIRD ANGLE PROJECTION
								SURFACE PREPARATION:	
								BREAK CORNER(S) ---- .000	
								SURFACE FINISH -- XX RMS	REF. No.
								TOLERANCE(S):	SCALE
								LINEAR ----- ± .000	
								ANGULAR ----- ± 0°00'	
								STK No:	
								MAT'L:	
								DESCR.	PART NUMBER
								GROUND KEY CORPORATION VALVE	E3404
								LOW LEAD BRASS (AWWA IP x PJ IPS PE)	
REV	ECR	DESCRIPTION	DATE	BY	CHKR				