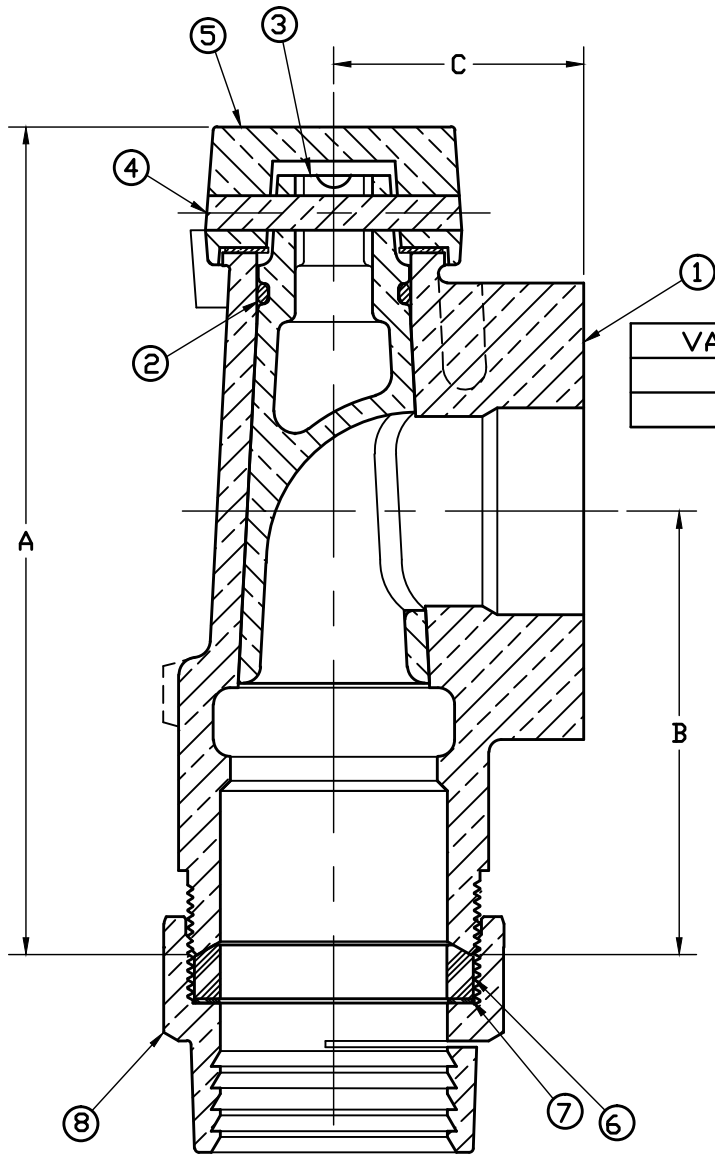
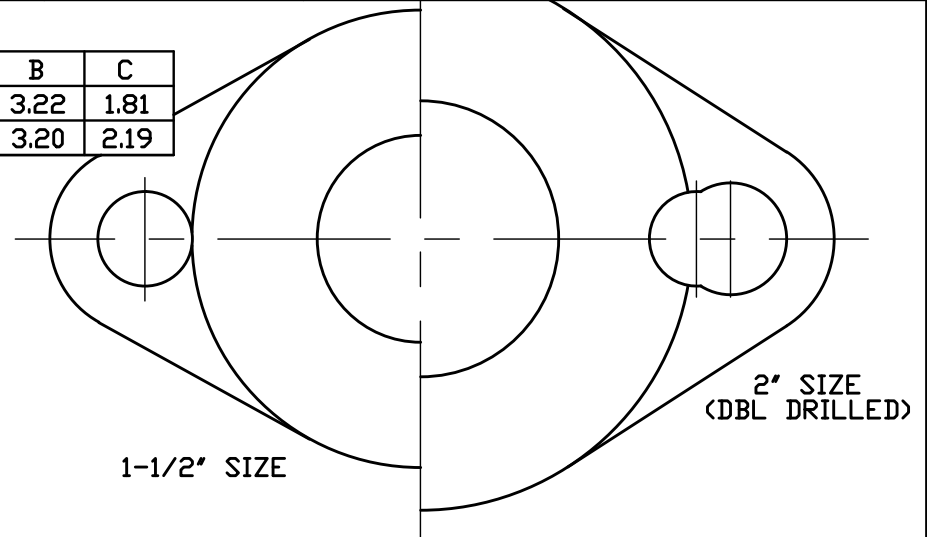


PART NUMBER
E 4205
JJ-MRKING



VALVE SIZE	A	B	C
1-1/2"	6.00	3.22	1.81
2"	6.27	3.20	2.19

No.	DESCRIPTION	MATERIAL DESCRIPTION
1	BODY	CAST LOW LEAD BRASS ALLOY
2	O-RING	EP ASTM D2000
3	KEY	CAST LOW LEAD BRASS ALLOY
4	GROOVE PIN	ASTM B124 ALLOY 655 SILICON BRONZE
5	CAP	CAST BRASS ASTM B62 ALLOY C83600
6	PJ GSKT	BUNA-N ASTM D2000
7	PJ WASHER	POLYPROPYLENE
8	CLPG NUT	CAST BRASS ASTM B62 ALLOY C83600



FILEPATH: PRD-ENG\JJ\SUBMITTALS\E4205

REV	ECR	DESCRIPTION	DATE	BY	CHKR	DRFTR	CHKR	ENGR	MGR	STK No	MAT'L	DESCR.	PART NUMBER
						Garvin				7/20/10		GROUND KEY ANGLE METER VALVE LOW LEAD BRASS(PJ CTS x MTR FLANGE)	E 4205

JAMES JONES CO.

UNLESS OTHERWISE NOTED
SURFACE PREPARATION:
BREAK CORNER(S) ---- .000
SURFACE FINISH -- XX RMS
TOLERANCE(S):
LINEAR ----- ± .000
ANGULAR ----- ± 0°00'

THIRD ANGLE PROJECTION
REF. No. SCALE