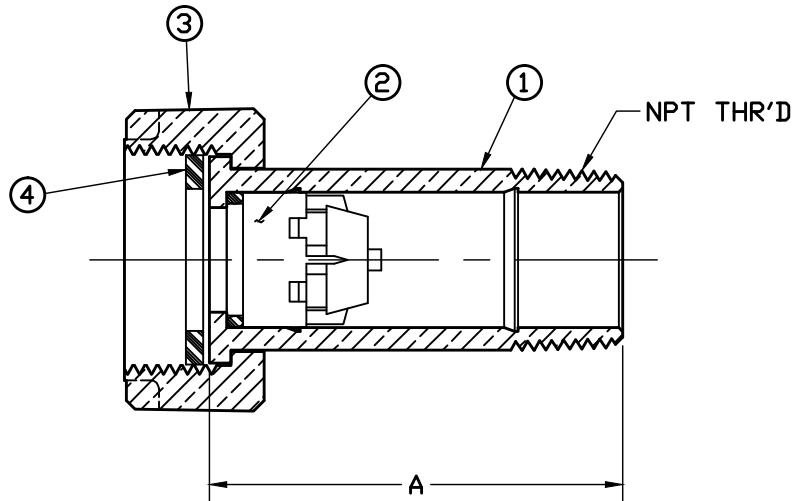


No.	DESCRIPTION	MATERIAL
1	TAILPIECE	LOW LEAD BRASS ALLOY
2	CHECK W/ O-RING	CELCON M90/EPDM D2000
3	METER NUT	CAST BRASS ASTM B62 ALLLOY C83600
4	GASKET	NITRILE D2000



SIZE	A	NPT SIZE
3/4	1.50	3/4
3/4	2.00	
3/4	2.500	
3/4	3.00	
1	2.00	1
1	3.00	

PART NUMBER
E5931
44-MRK/TG

FILEPATH: PRDD-ENG\JJ\SUBMITTALS\E5931

DRFTR	JGarvin	7/20/10	JAMES JONES CO.				
CHKR							
ENGR							
MGR							
BY	DATE		UNLESS OTHERWISE NOTED	THIRD ANGLE PROJECTION			
			SURFACE PREPARATION:				
			BREAK CORNER(S) ---- .000				
			SURFACE FINISH -- XX RMS		REF. No.	SCALE	
			TOLERANCE(S):			FULL	
			LINEAR ----- ± .000				
			ANGULAR ----- ± 0°00'				
			STK No:				
			MAT'L:				
REV	ECR	DESCRIPTION	DATE	BY	CHKR	DESCR.	PART NUMBER
						5/8" x 3/4" x 3/4" & 1" INLINE SINGLE CHECK VALVE ASSEMBLY-LLB	E5931
PER EST NO: DXXXX EST FIN WT = 0.0000 lbs							