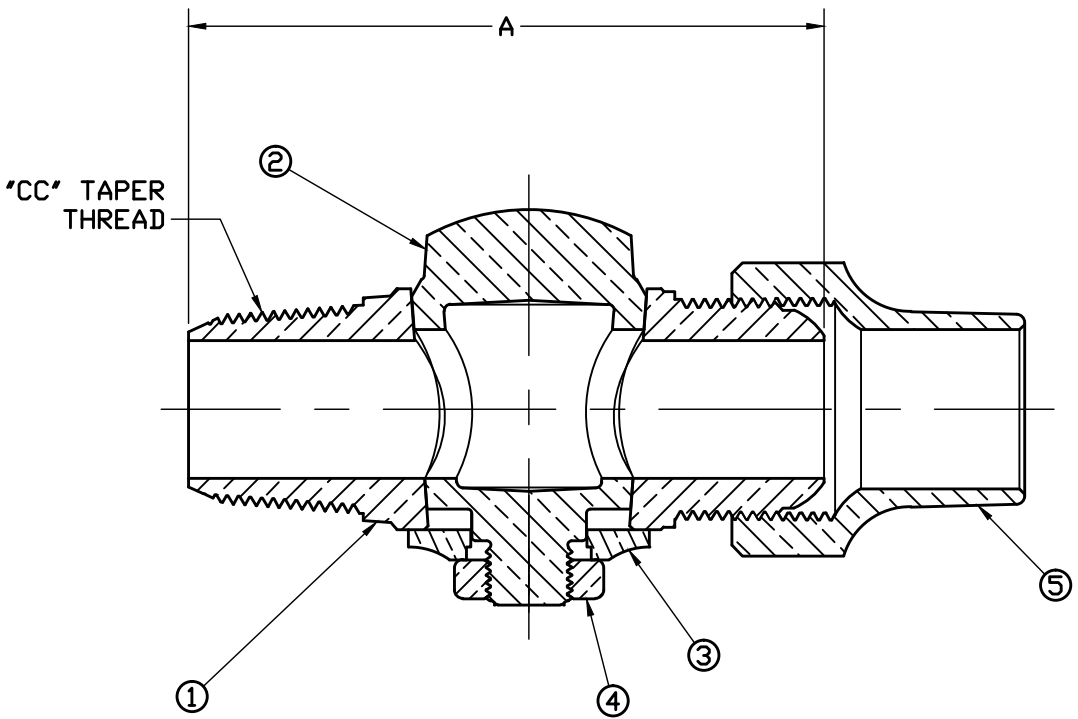


No.	DESCRIPTION	MATERIAL
1	BODY	CAST BRASS ASTM B62 ALLOY C83600
2	KEY	CAST BRASS ASTM B62 ALLOY C83600
3	KEY WASHER	CAST BRASS ASTM B62 ALLOY C83600
4	KEY NUT	CAST BRASS ASTM B62 ALLOY C83600
5	COPPER TUBE NUT	CAST BRASS ASTM B62 ALLOY C83600



SIZE	A
3/4	3-27/32"
1	4-39/64"

PART NUMBER
J1500
JJ-MRKTG

FILEPATH: PRODD-ENG\JJ\SUBMITTALS\J1500

						DRFTR JGarvin 9/25/09	JAMES JONES CO.			
						CHKR				
						ENGR				
						MGR				
						BY	DATE	UNLESS OTHERWISE NOTED	THIRD ANGLE PROJECTION	
						STK No:		SURFACE PREPARATION:		
						MAT'L:		BREAK CORNER(S) ---- .000		
						DESCR.		SURFACE FINISH -- 000 RMS	REF. No.	SCALE
								TOLERANCE(S):		FULL
								LINEAR ----- ± .000		
								ANGULAR ----- ± 0°00'		
REV	ECR	DESCRIPTION	DATE	BY	CHKR	CORPORATION STOP ('CC' x CS)				PART NUMBER J1500