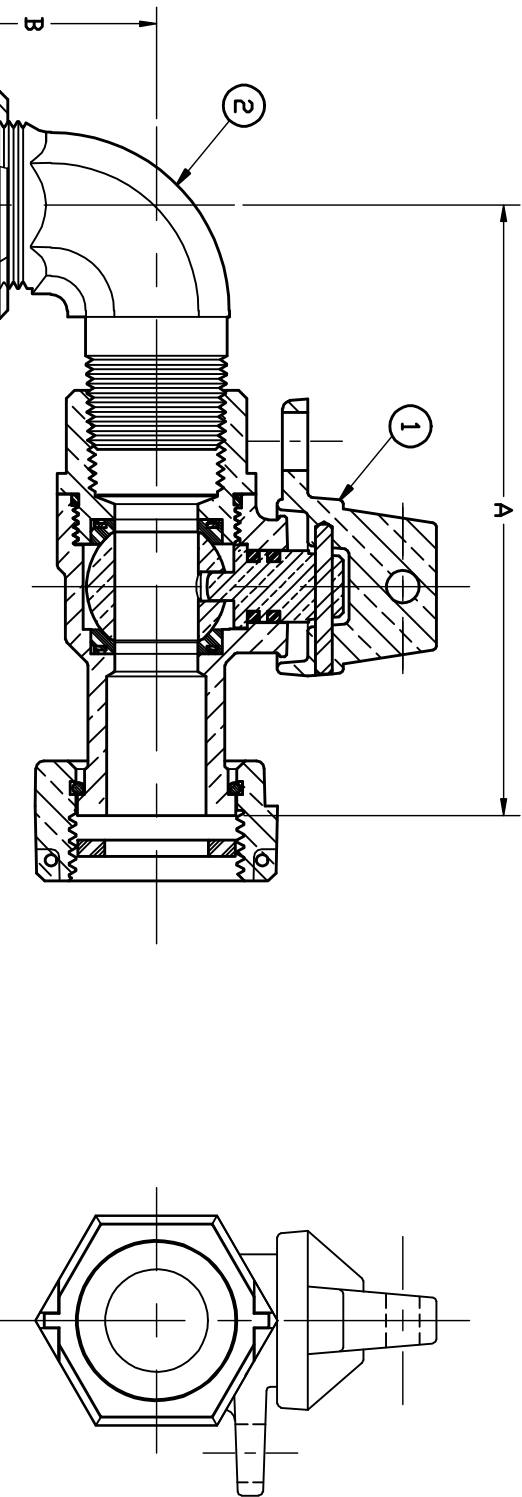


ITEM	DESCRIPTION	REQ'D	MATERIAL	ASTM	ALLOY OR TYPE
1	J1903W	1	BRONZE	B-62	ALLOY C83600
2	TAILPIECE	1	BRONZE	B-62	ALLOY C83600
3	COPPER TUBE NUT	1	BRONZE	B-62	ALLOY C83600

VALVE SIZE	A	B
3/4	4-5/8"	1-27/32"
1	5-5/8"	2"



FILEPATH: PROD-ENG\SUBMITTALS\J1513C

PART NUMBER
J1513C

JJ-MRKTG

REV	ECR	DESCRIPTION	DATE	BY	CHKR	DRGTR	DATE	DESCR.	PART NUMBER
						gcr/vjh	6/21/07	90° CS ELL X SWIVEL METER (2 PIECE) ASSEMBLY	J1513C

PER EST NDI: DXXXX EST FIN WT = 0.0000 LBS

STK No: _____ BY: _____ DATE: _____

MAT'L: _____

UNLESS OTHERWISE NOTED:
 SURFACE PREPARATION: _____
 BREAK CORNERS: --- .000
 SURFACE FINISH: --- 000 RMS
 TOLERANCE(S):
 LINEAR: ± .000
 ANGULAR: ± 0°00'

THIRD ANGLE PROJECTION
 REF. No. _____ SCALE FULL

JAMES JONES CO.