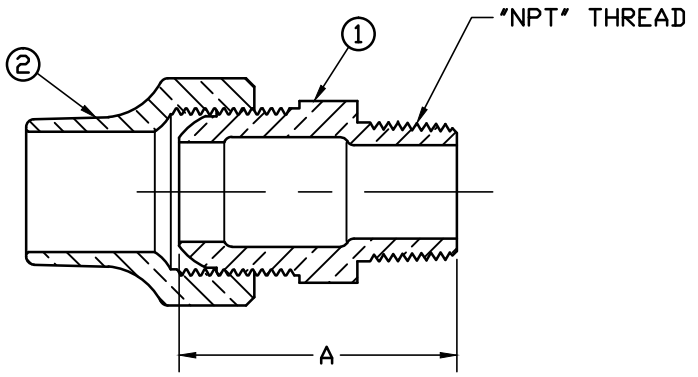


No.	DESCRIPTION	MATERIAL
1	SPUD	CAST BRASS ASTM B62 ALLOY C83600
2	COPPER TUBE NUT	CAST BRASS ASTM B62 ALLOY C83600



SIZE	A	NPT SIZE
3/4	2-3/32"	3/4"
3/4x1	2-3/8"	1"
1	2-29/64"	1"
1x3/4	2-17/32"	3/4"
1-1/2	3-11/32"	1-1/2"
2	3-63/64"	2"

FILEPATH: PRODD-ENG\JJ\SUBMITTALS\J1531

PART NUMBER
J1531
JJ-MRKTG

						DRFTR	RWB	4/14/10	JAMES JONES CO.		
						CHKR					
						ENGR					
						MGR					
									UNLESS OTHERWISE NOTED	THIRD ANGLE PROJECTION	
									SURFACE PREPARATION:		
									BREAK CORNER(S) ---- .000		
									SURFACE FINISH -- XX RMS	REF. No.	SCALE
									TOLERANCE(S):		
									LINEAR ----- ± .000		
									ANGULAR ----- ± 0°00'		
									STK No:		
									MAT'L:		
									DESCR.	STRAIGHT COUPLING SERVICE FITTING (CS x MIP)	
REV	ECR	DESCRIPTION	DATE	BY	CHKR					PART NUMBER	J1531