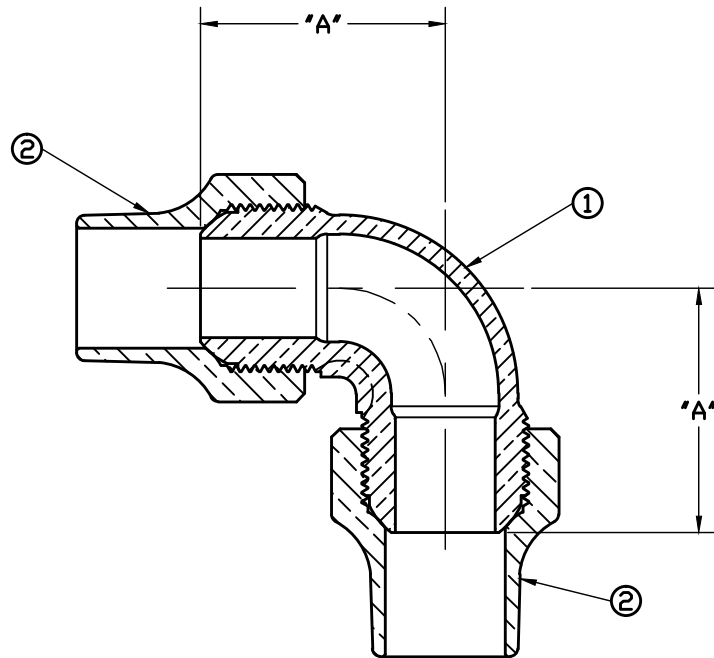


No.	DESCRIPTION	MATERIAL
1	SPUD	CAST BRASS ASTM B62 ALLOY C83600
2	COPPER TUBE NUT	CAST BRASS ASTM B62 ALLOY C83600



SIZE	A
3/4	1-27/32"
1	2-1/16"
1-1/2	3-1/4"
2	4"

FILEPATH: PRODD-ENG\JJ\SUBMITTALS\J1552

						DRFTR	JGarvin	5/3/10	JAMES JONES CO.		
						CHKR					
						ENGR					
						MGR			UNLESS OTHERWISE NOTED	THIRD ANGLE PROJECTION	
									SURFACE PREPARATION:		
									BREAK CORNER(S) ---- .000		
									SURFACE FINISH -- XX RMS	REF. No.	SCALE
									TOLERANCE(S):		FULL
									LINEAR ----- ± .000		
									ANGULAR ----- ± 0°00'		
									STK No:		
									MAT'L:		
									DESCR.		PART NUMBER
									QUARTER BEND THREE PART UNION		J1552
									("COPPER FLARE NUT - BOTH ENDS")		
REV	ECR	DESCRIPTION	DATE	BY	CHKR						

PART NUMBER
J1552
JJ-MRKTG