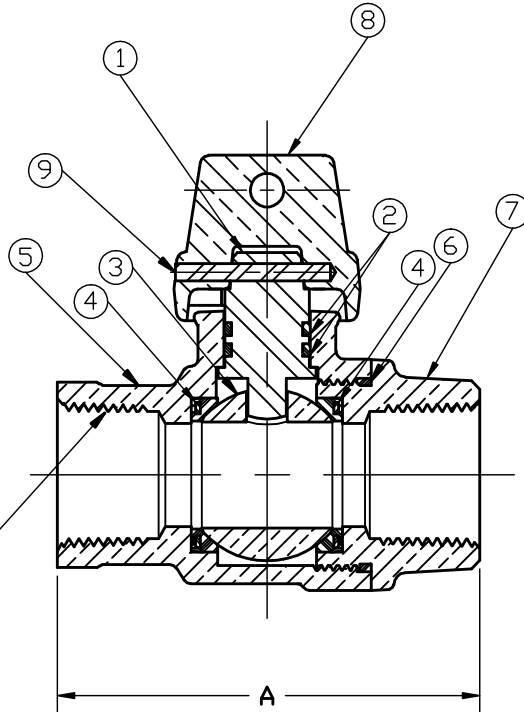


No.	DESCRIPTION	MATERIAL
1	STEM	CAST BRASS ASTM B62 ALLOY C83600
2	O-RING	EPDM ASTM D2000
3	BALL	CAST BRASS ASTM B62 ALLOY C83600
4	GASKET - SEAL	NITRILE ASTM D2000
5	BODY	CAST BRASS ASTM B62 ALLOY C83600
6	O-RING	EPDM ASTM D2000
7	END PIECE	CAST BRASS ASTM B62 ALLOY C83600
8	CAP	CAST BRASS ASTM B62 ALLOY C83600
9	SOLID PIN	AISI 303 STAINLESS STEEL



"NPT" (EACH END)

VALVE SIZE	A	NPT SIZE
3/4"	3-1/16"	3/4"
1"	3-31/32"	1"
1-1/2"	4-1/8"	1-1/2"
2"	4-15/16"	2"

FILEPATH: PRDD-ENG/JJ/SUBMITTALS/J1900

						DRFTR JGarvin	1/10/07	JAMES JONES CO.	
						CHKR			
						ENGR			
						MGR			
						BY	DATE	UNLESS OTHERWISE NOTED	
						STK No:		THIRD ANGLE PROJECTION	
						MAT'L:		SURFACE PREPARATION:	
						DESCR.		BREAK CORNER(S) ---- .000	
								SURFACE FINISH -- XX RMS	
								TOLERANCE(S):	
								LINEAR ----- ± .000	
								ANGULAR ----- ± 0°00'	
REV	ECR	DESCRIPTION	DATE	BY	CHKR	BALL TYPE CURB VALVE (FIP - BOTH ENDS)			PART NUMBER J1900

PART NUMBER
J1900
JJ-MRKTG