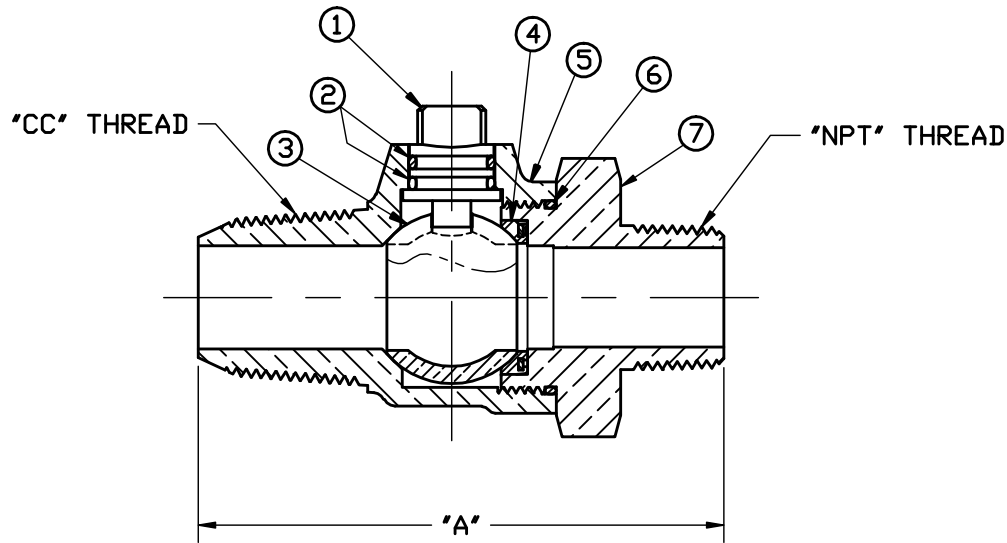


No.	DESCRIPTION	MATERIAL
1	STEM	BRASS ASTM B62 ALLOY C83600
2	O-RING	EPDM D2000
3	BALL	BRASS ASTM B62 ALLOY C83600
4	GASKET - SEAL	NITRILE D2000
5	BODY	BRASS ASTM B62 ALLOY C83600
6	O-RING	EPDM D2000
7	END PIECE	BRASS ASTM B62 ALLOY C83600



VALVE SIZE	A	NPT SIZE
3/4	3-13/16"	3/4"
1	4-33/64"	1"
1-1/2	5-53/64"	1-1/2"
2	6-13/32"	2"

FILEPATH: PROD-ENG\JAMES JONES\SUBMITTALS\J1944

REV	ECR	DESCRIPTION	DATE	BY	CHKR	DRFTR	RWB	8/6/07	JAMES JONES CO.	
									UNLESS OTHERWISE NOTED	
									THIRD ANGLE PROJECTION	
									SURFACE PREPARATION:	
									BREAK CORNER(S) ---- .000	
									SURFACE FINISH -- XX RMS	
									TOLERANCE(S):	
									LINEAR ----- ± .000	
									ANGULAR ----- ± 0°00'	
									REF. No.	SCALE
									PART NUMBER	
									J1944	
									BALL TYPE CORPORATION VALVE	
									(AWWA TAPER x MIP)	

PART NUMBER
J1944
JJ-MRKTG