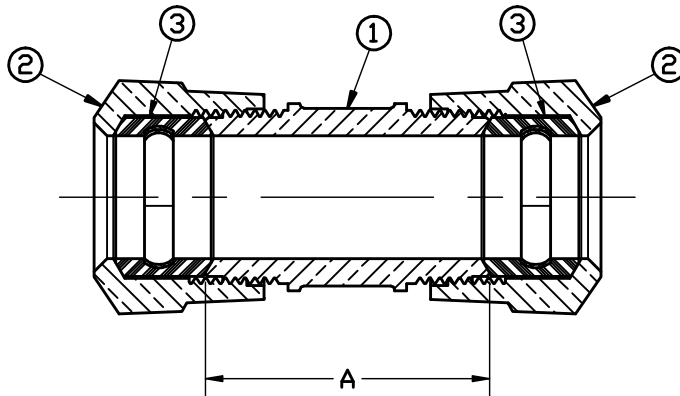


No.	DESCRIPTION	MATERIAL
1	SPUD	CAST BRASS ASTM B62 ALLOY C83600
2	CONN. NUT	CAST BRASS ASTM B62 ALLOY C83600
3	CTS GSKT SUB	SBR ASTM D2000 - GSKT 410ss - BAND



SIZE	A
3/4"	2-1/16"
1"	2-13/32"
1 x 3/4"	1-53/64"
1-1/4"	2-3/8"
1-1/2"	3-5/16"
2"	3-3/8"

FILEPATH: PRODD-ENG\JJ\SUBMITTALS\J2609SG

						DRFTR	Garvin	1/25/07	<b>JAMES JONES CO.</b>	
						CHKR				
						ENGR			UNLESS OTHERWISE NOTED SURFACE PREPARATION: BREAK CORNER(S) ---- .000 SURFACE FINISH -- XX RMS TOLERANCE(S): LINEAR ----- ± .000 ANGULAR ----- ± 0°00'	
						MGR				
									STK No:	
									MAT'L:	
									DESCR.      STRAIGHT COUPLING (SG CTS x SG CTS)	
REV	ECR	DESCRIPTION	DATE	BY	CHKR				PART NUMBER <b>J2609SG</b>	

PART NUMBER  
**J2609SG**  
 JJ-MRKTG