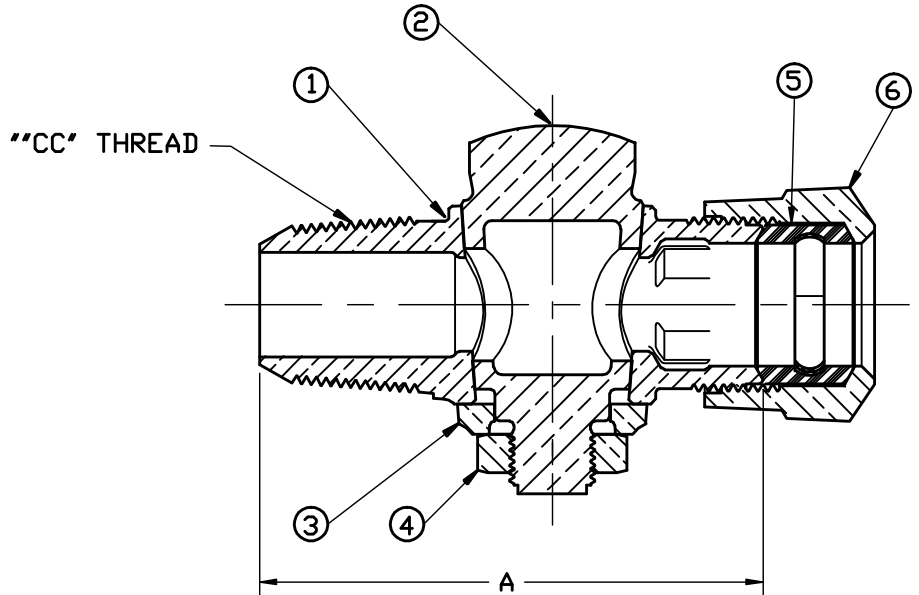


No.	DESCRIPTION	MATERIAL
1	BODY	CAST BRASS ASTM B62 ALLOY C83600
2	KEY	CAST BRASS ASTM B62 ALLOY C83600
3	KEY WASHER	CAST BRASS ASTM B62 ALLOY C83600
4	KEY NUT	CAST BRASS ASTM B62 ALLOY C83600
5	CTS GSKT SUB	SBR ASTM D2000 -GSKT 410ss -BAND
6	CONNX NUT	CAST BRASS ASTM B62 ALLOY C83600



VALVE SIZE	A
3/4"	3-21/32"
1"	4-5/16"

PART NUMBER
J3401SG
JJ-MRKTG

FILEPATH: PRDD-ENG\JJ\SUBMITTALS\J3401SG

						DRFTR JGarvin	5/12/08	JAMES JONES CO.		
						CHKR				
						ENGR				
						MGR				
						BY	DATE	UNLESS OTHERWISE NOTED SURFACE PREPARATION: BREAK CORNER(S) ---- .000 SURFACE FINISH -- XX RMS TOLERANCE(S): LINEAR ----- ± .000 ANGULAR ----- ± 0°00'		
						STK No:				THIRD ANGLE PROJECTION
						MAT'L:				REF. No. SCALE
						DESCR.	GROUND KEY CORPORATION VALVE (AWWA TAPER x 110 CTS)		PART NUMBER	
REV	ECR	DESCRIPTION	DATE	BY	CHKR			J3401SG		