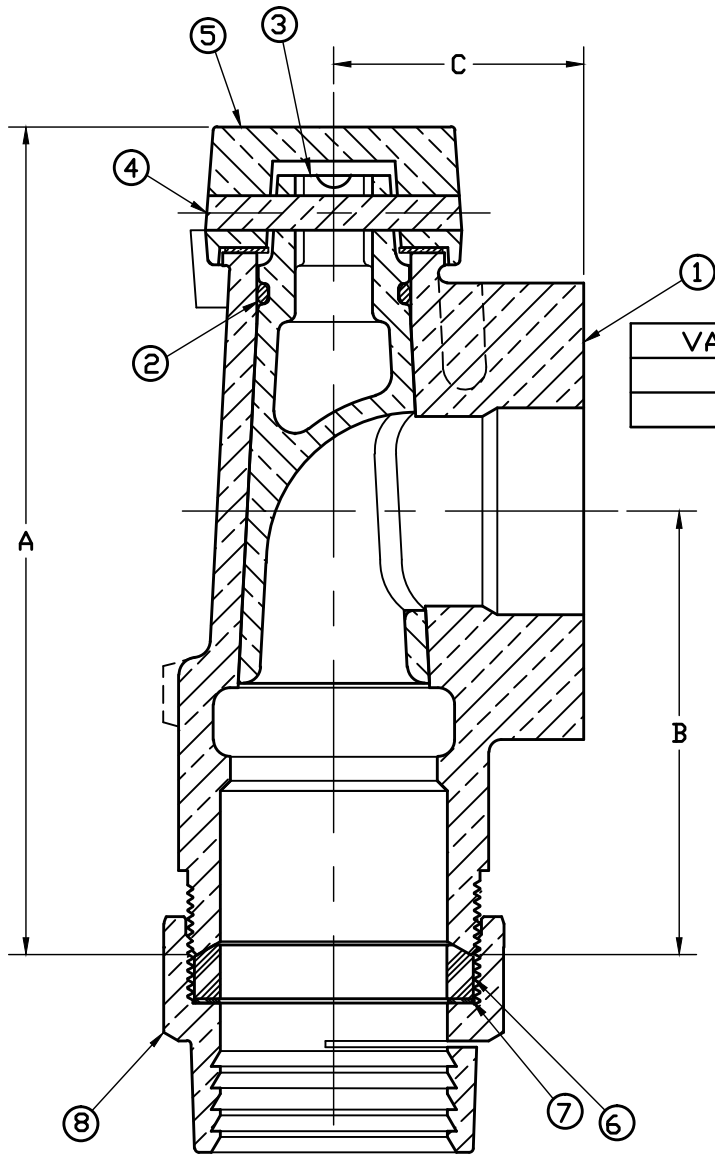
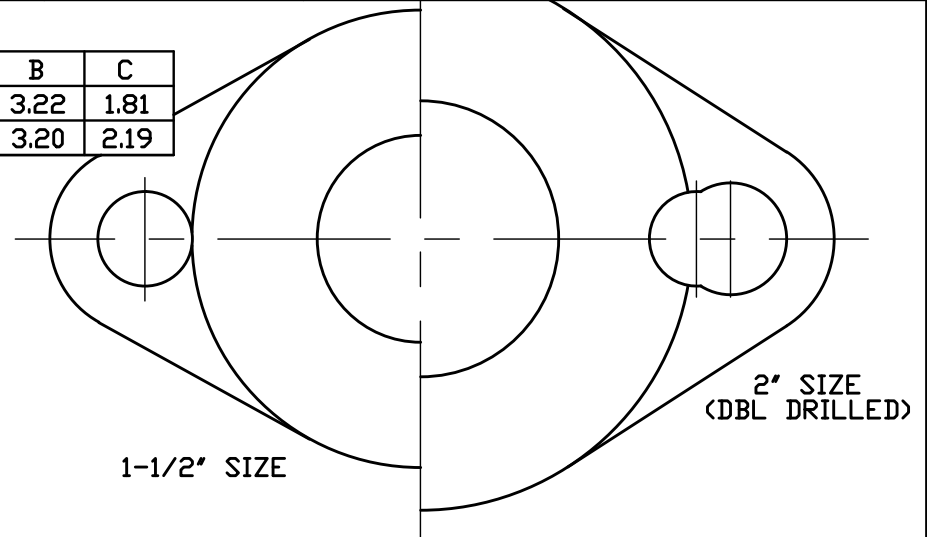


PART NUMBER  
J4205  
JJ-MRKING



VALVE SIZE	A	B	C
1-1/2"	6.00	3.22	1.81
2"	6.27	3.20	2.19

No.	DESCRIPTION	MATERIAL DESCRIPTION
1	BODY	CAST BRASS ASTM B62 ALLOY C83600
2	D-RING	EP ASTM D2000
3	KEY	CAST BRASS ASTM B62 ALLOY C83600
4	GROOVE PIN	ASTM B124 ALLOY 655 SILICON BRONZE
5	CAP	CAST BRASS ASTM B62 ALLOY C83600
6	PJ GSKT	BUNA-N ASTM D2000
7	PJ WASHER	POLYPROPYLENE
8	CLPG NUT	CAST BRASS ASTM B62 ALLOY C83600



FILEPATH: PROD-ENG\JJ\SUBMITTALS\J4205

REV	ECR	DESCRIPTION	DATE	BY	CHKR	STK No	MAT'L	DESCR.	PART NUMBER
								GROUND KEY ANGLE METER VALVE (PJ CTS x MTR FLANGE)	J4205

DRFTR | Garvin | 7/20/10  
CHKR  
ENGR  
MGR

JAMES JONES CO.

UNLESS OTHERWISE NOTED  
SURFACE PREPARATION:  
BREAK CORNER(S) ---- .000  
SURFACE FINISH -- XX RMS  
TOLERANCE(S):  
LINEAR ----- ± .000  
ANGULAR ----- ± 0°00'

THIRD ANGLE PROJECTION

REF. No. SCALE

BY DATE

MAT'L

DESCR.

GROUND KEY ANGLE METER VALVE  
(PJ CTS x MTR FLANGE)

PART NUMBER  
J4205