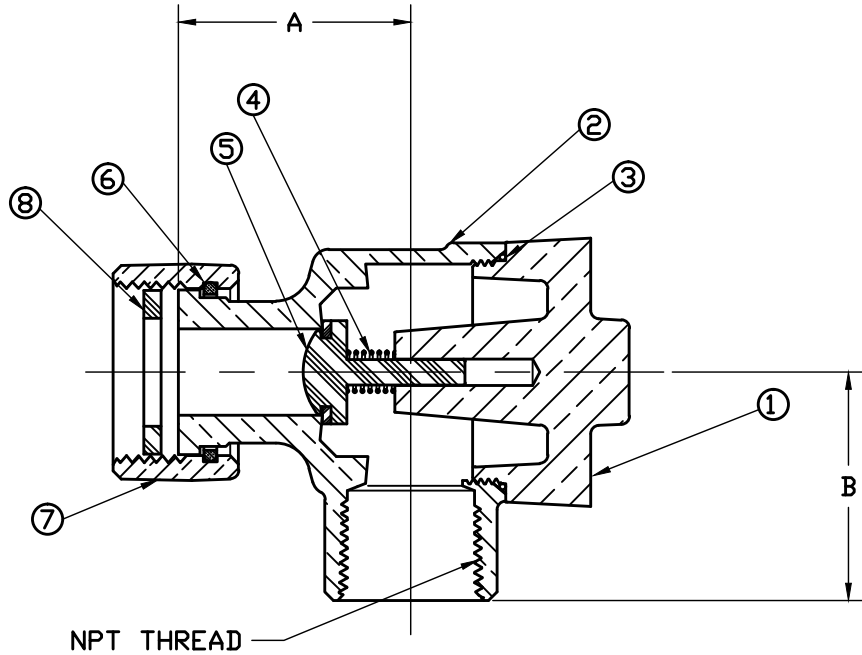


No.	DESCRIPTION	MATERIAL
1	CAP	CAST BRASS ASTM B-62 ALLOY C83600
2	BODY	CAST BRASS ASTM B-62 ALLOY C83600
3	O-RING	EPDM D2000
4	SPRING	302 STAINLESS STEEL
5	POPPET ASS'Y	CELCON (M90) EPDM (D2000)
6	SNAP RING	COPPER ALLOY CDA521
7	SADDLE NUT	CAST BRASS ASTM B-62 ALLOY C83600
8	GASKET	NITRILE D2000



VALVE SIZE	A	B
3/4	1.688	1.656
1	1.938	2.031

PART NUMBER
J5800
JJ-MRKTG

FILEPATH: PRDD-ENG\JJ\SUBMITTALS\J5800

						DRFTR	JGarvin	7/20/10	JAMES JONES CO.	
						CHKR				
						ENGR				
						MGR				
							BY	DATE	UNLESS OTHERWISE NOTED	
									THIRD ANGLE PROJECTION	
									SURFACE PREPARATION:	
									BREAK CORNER(S) ---- .000	
									SURFACE FINISH -- XX RMS	
									TOLERANCE(S):	
									LINEAR ----- ± .000	
									ANGULAR ----- ± 0°00'	
									REF. No.	
									SCALE	
									PART NUMBER	
									J5800	
REV	ECR	DESCRIPTION	DATE	BY	CHKR	DESCR.				
						ANGLE METER VALVE (FIP x PLAIN MTR SWIVEL NUT)				