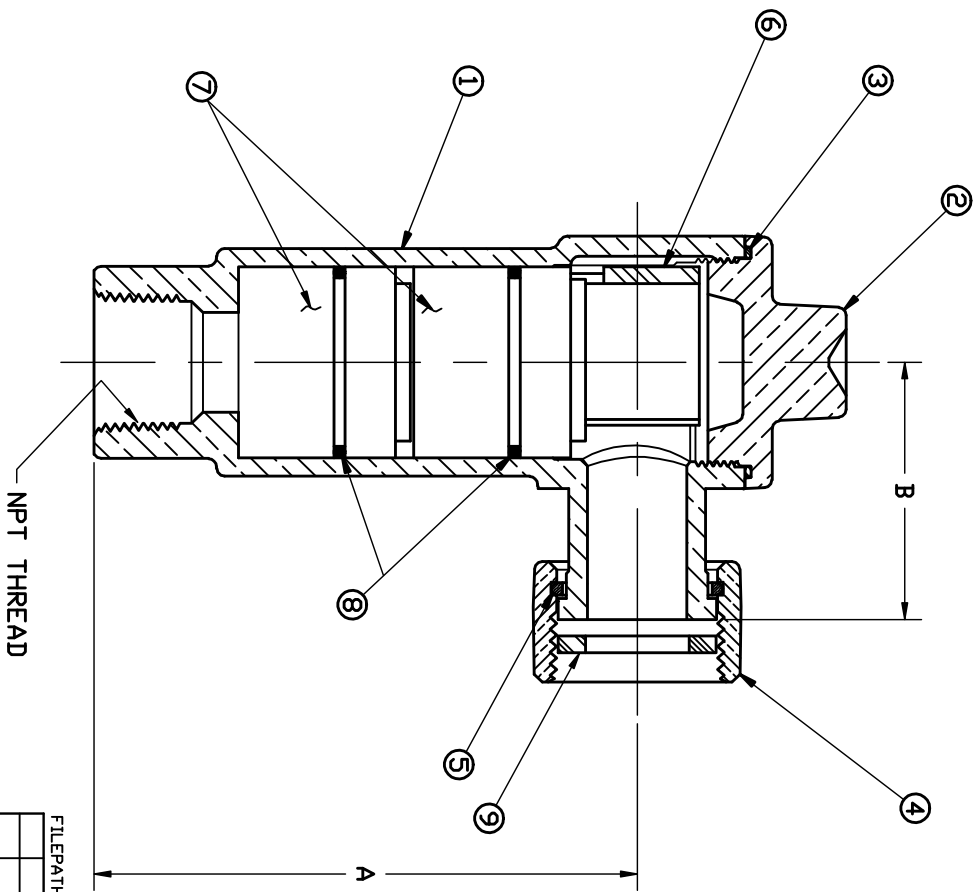


PART NUMBER
J5910

JJ/MRKTG



FILEPATH: PROD-ENG\JJ\SUBMITTAL\J5910

No.	DESCRIPTION	MATERIAL DESCRIPTION
1	BODY	CAST BRASS ASTM B62 ALLOY C83600
2	CAP	CAST BRASS ASTM B62 ALLOY C83600
3	DRING	EPDM ASTM D2000
4	PLAIN NUT	CAST BRASS ASTM B62 ALLOY C83600
5	SNAP RING	COPPER ALLOY CDA 521
6	LINER	CELCON M-90
7	POPPET ASSY	CELCON M-270 EPDM ASTM D2000 ASTI 302 STAINLESS
8	DRING	EPDM ASTM D2000
9	WASHER	NITRILE ASTM D2000

VALVE SIZE	A	B	NPT SIZE
3/4"	4.09	1.94	3/4"
1"	4.51	2.35	1"

REV	ECR	DESCRIPTION	DATE	BY	CHKR	DIRECTOR	RVB	DATE	DESCR.	PART NUMBER
									DUAL CHECK ANGLE METER ASSE APPROVED	J5910
									VALVE ASSEMBLY (MTR X FIP)	

JAMES JONES CO.

UNLESS OTHERWISE NOTED

SURFACE PREPARATION: $\pm .000$

BREAK CORNERS: $\pm .000$

SURFACE FINISH: $\pm .000$ RMS

TOLERANCE(S):

LINEAR: $\pm .000$

ANGULAR: $\pm 0^{\circ}00'$

THIRD ANGLE PROJECTION

REF. No.

SCALE FULL