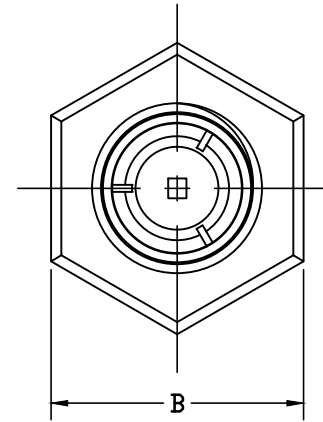
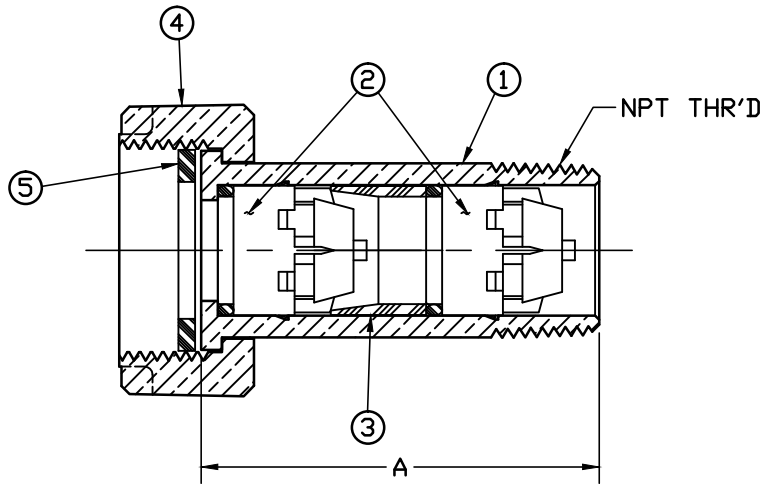


SIZE	A	B	NPT SIZE
3/4	2.500	1.56	3/4
1	3.000	1.88	1

No.	DESCRIPTION	MATERIAL
1	TAILPIECE	BRASS B505 ALLLOY C83600
2	CHECK W/ O-RING	CELCON M90/EPDM D2000
3	SPACER	CELCON M90
4	METER NUT	CAST BRASS ASTM B62 ALLLOY C83600
5	GASKET	NITRILE D2000



FILEPATH: PRD-ENG\J\SUBMITTALS\J5930

						DRFTR	RWB	2/17/10	JAMES JONES CO.				
						CHKR					UNLESS OTHERWISE NOTED SURFACE PREPARATION: BREAK CORNER(S) ---- .000 SURFACE FINISH -- XX RMS TOLERANCE(S): LINEAR ----- ± .000 ANGULAR ----- ± 0°00'	THIRD ANGLE PROJECTION	
						ENGR						REF. No.	SCALE
						MGR							FULL
									BY	DATE			
									STK No:				
									MAT'L:				
									DESCR.		PART NUMBER		
									5/8" x 3/4" x 3/4" & 1" INLINE DUAL CHECK VALVE ASSEMBLY		J5930		
									PER EST NO: DXXXX		EST FIN WT = 0.0000 lbs		

PART NUMBER
J5930
44-MRK TG