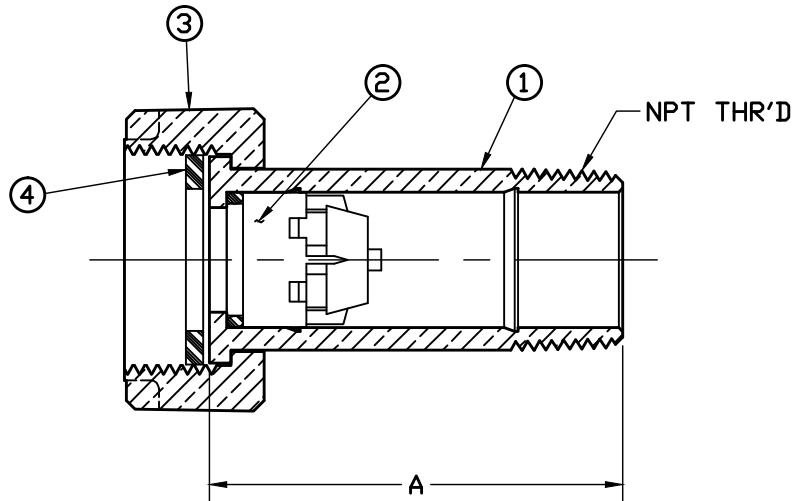


No.	DESCRIPTION	MATERIAL
1	TAILPIECE	BRASS B505 ALLLOY C83600
2	CHECK W/ O-RING	CELCON M90/EPDM D2000
3	METER NUT	CAST BRASS ASTM B62 ALLLOY C83600
4	GASKET	NITRILE D2000



SIZE	A	NPT SIZE
3/4	1.50	3/4
3/4	2.00	
3/4	2.500	
3/4	3.00	
1	2.00	1
1	3.00	

PART NUMBER
J5931
44-MRK/TG

FILEPATH: PRDD-ENG\JJ\SUBMITTALS\J5931

						DRFTR jGarvin 7/20/10	JAMES JONES CO.		
						CHKR			UNLESS OTHERWISE NOTED SURFACE PREPARATION: BREAK CORNER(S) ---- .000 SURFACE FINISH -- XX RMS TOLERANCE(S): LINEAR ----- ± .000 ANGULAR ----- ± 0°00'
						ENGR			
						MGR			
						BY DATE	THIRD ANGLE PROJECTION REF. No. SCALE FULL		
						STK No:	PART NUMBER		
						MAT'L:	J5931		
REV	ECR	DESCRIPTION	DATE	BY	CHKR	DESCR.	5/8" x 3/4" x 3/4" & 1" INLINE SINGLE CHECK VALVE ASSEMBLY		
PER EST NO: DXXXX						EST FIN WT = 0.0000 lbs			