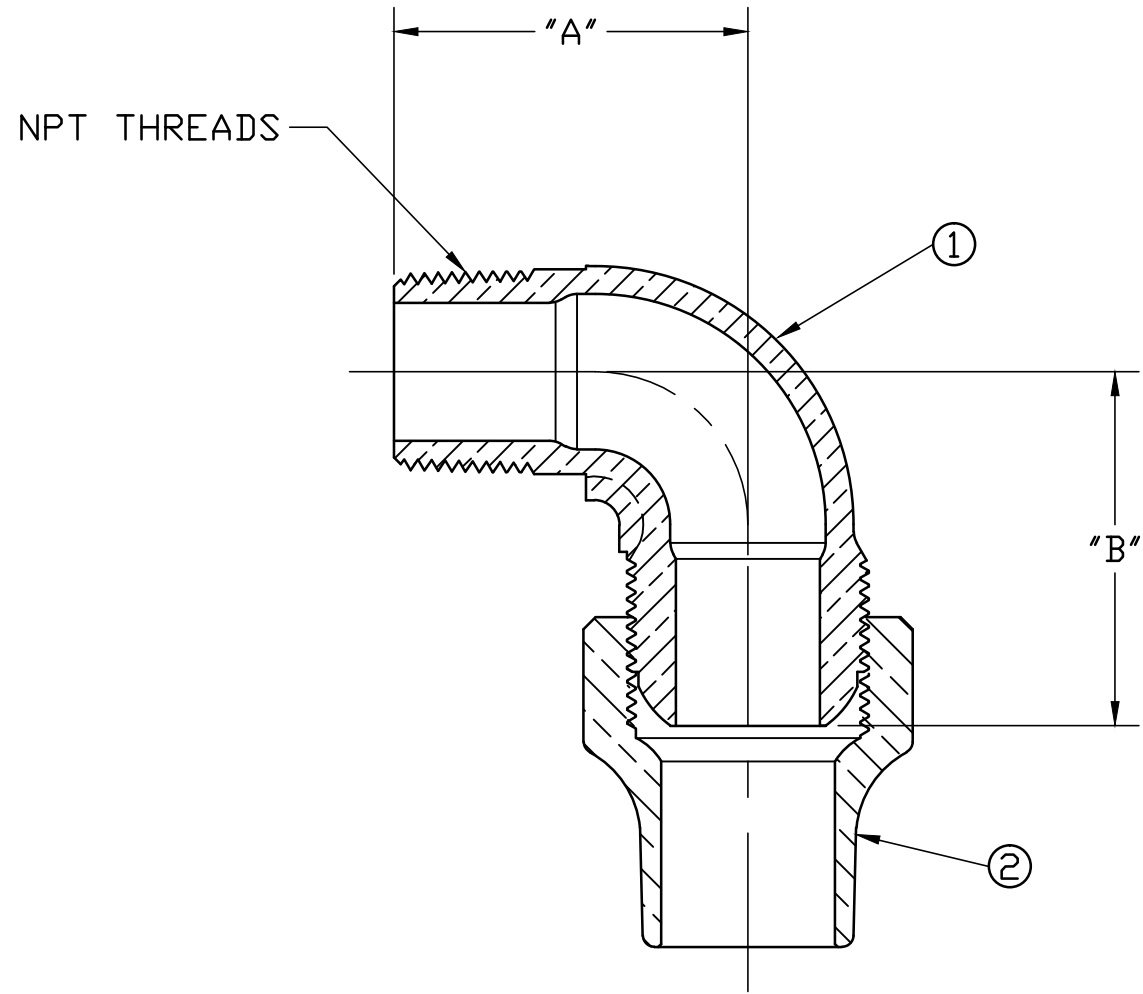


No.	DESCRIPTION	MATERIAL
1	SPUD	CAST LOW LEAD BRASS ALLOY
2	COPPER TUBE NUT	CAST BRASS ASTM B62 ALLOY C83600



SIZE	A	B
3/4	1-27/32"	1-27/32"
1	2"	2"
1-1/2	3-3/8"	3-1/4"
2	3-7/8"	3-1/2"

ALL WETTED PARTS ARE LOW LEAD BRASS ALLOY

FILEPATH: PROD-ENG\JJ\SUBMITTALS\E1550

DWG NUMBER  
E1550  
JJ-MRKTG

TITLE TO AND OWNERSHIP OF THIS ENGINEERING DATA REMAINS IN Mueller Co. NO USE IS TO BE MADE OF THIS DATA EXCEPT AS SPECIFICALLY AUTHORIZED BY Mueller Co. ASSENT ON THE PART OF THE RECIPIENT TO THESE CONDITIONS IS PRESUMED

						DRFTR	JGarvin	9/25/09	<b>JONES</b>		
						CHKR					
						ENGR					
						MGR					
									UNLESS OTHERWISE NOTED	THIRD ANGLE PROJECTION	
									SURFACE PREPARATION:		
									BREAK CORNER(S) ---- .000		
									SURFACE FINISH -- XX RMS	REF. No.	SCALE
									TOLERANCE(S):		FULL
									LINEAR ----- ± .000		
									ANGULAR ----- ± 0°00'		
									STK No:		
									MAT'L:		
									DESCR.		
									LLB CORP STOP COUPLING QUARTER BEND (MIP x CS)		DWG NUMBER
											E1550
REV	ECR	DESCRIPTION	DATE	BY	CHKR						