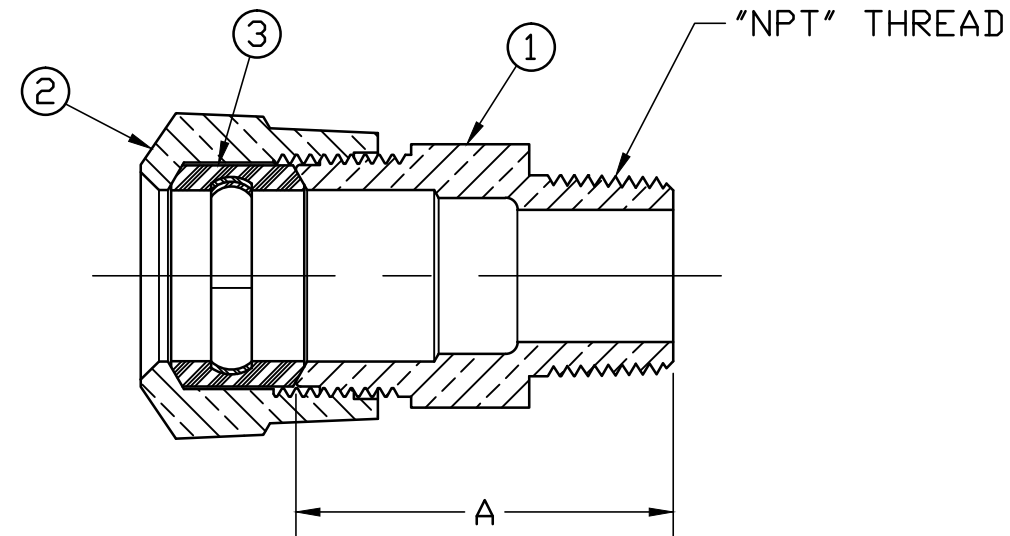


No.	DESCRIPTION	MATERIAL
1	SPUD	CAST LOW LEAD BRASS ALLOY
2	CONN. NUT	CAST BRASS ASTM B62 ALLOY C83600
3	CTS GSKT SUB	SBR ASTM D2000 - GSKT 410ss - BAND



SIZE	A	NPT SIZE
3/4	1-31/32"	3/4"
1x3/4	1-63/64"	3/4"
1	2-5/32"	1"
1-1/4	2-5/16"	1-1/4"
1-1/2	2-3/8"	1-1/2"
2	2-5/8"	2"

ALL WETTED PARTS ARE LOW LEAD BRASS ALLOY

FILEPATH: PROD-ENG\JJ\SUBMITTALS\E2605SG

DWG NUMBER
E2605SG
JJ-MRKTG

TITLE TO AND OWNERSHIP OF THIS ENGINEERING DATA REMAINS IN Mueller Co. NO USE IS TO BE MADE OF THIS DATA EXCEPT AS SPECIFICALLY AUTHORIZED BY Mueller Co. ASSENT ON THE PART OF THE RECIPIENT TO THESE CONDITIONS IS PRESUMED

						DRFTR	RWB	6/9/08	JONES	UNLESS OTHERWISE NOTED SURFACE PREPARATION: BREAK CORNER(S) ---- .000 SURFACE FINISH -- XX RMS	THIRD ANGLE PROJECTION	
						CHKR					REF. No.	SCALE
						ENGR				TOLERANCE(S): LINEAR ----- ± .000 ANGULAR ----- ± 0°00'		
						MGR						
								BY	DATE	STK No:		
								MAT'L:				
								DESCR. STRAIGHT COUPLING LLB SERVICE FITTING (110 CTS x MIP)				
												DWG NUMBER E2605SG
REV	ECR	DESCRIPTION	DATE	BY	CHKR							