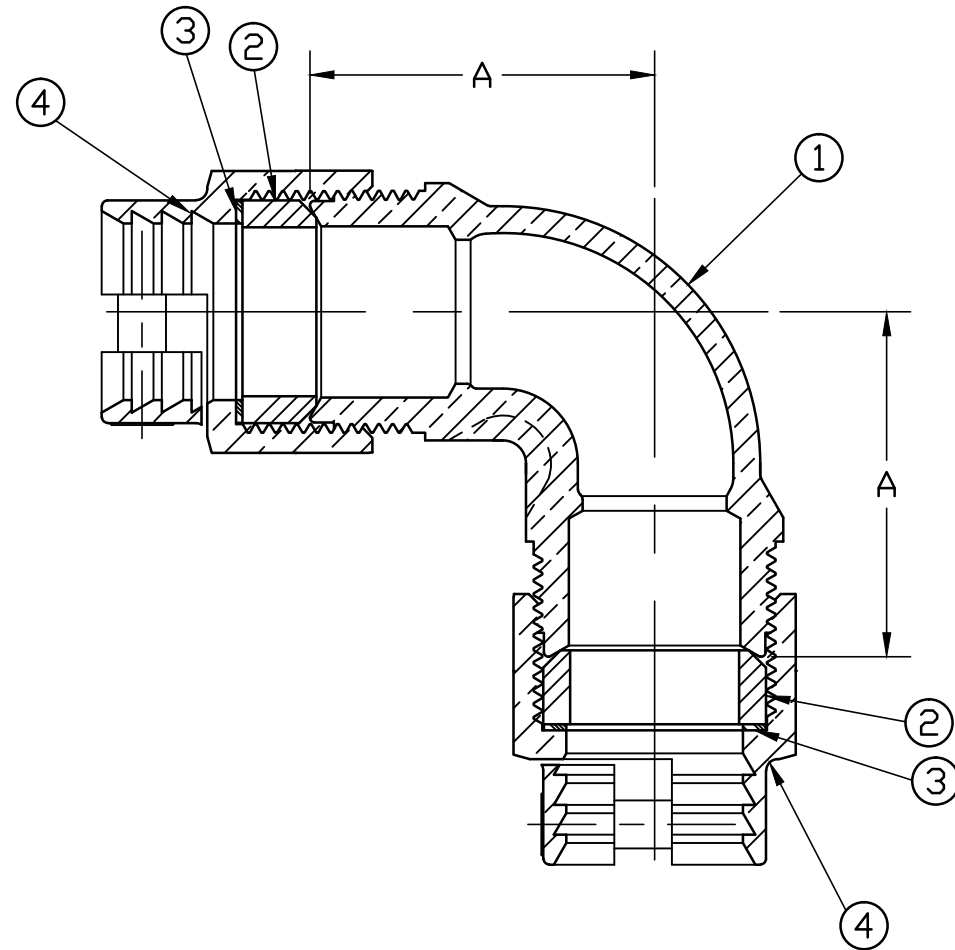


No.	DESCRIPTION	MATERIAL
1	SPUD	CAST LOW LEAD BRASS ALLOY
2	PJ CTS GSKT	BUNA N ASTM D2000
3	PJ WASHER	POLYPROPYLENE
4	CLPG NUT SUB	CAST BRASS ASTM B62 ALLOY C83600



SIZE	A
3/4	1-51/64"
1	2"
1-1/2	2-3/4"
2	3-3/32"

ALL WETTED PARTS ARE LOW LEAD BRASS ALLOY

FILEPATH: PROD-ENG\JAMES JONES\SUBMITTALS\E2611

						DRFTR	RWB	4/22/16	JONES	UNLESS OTHERWISE NOTED THIRD ANGLE PROJECTION 			
						CHKR					SURFACE PREPARATION: BREAK CORNER(S) ---- .000 SURFACE FINISH -- XX RMS	REF. No.	SCALE
						ENGR							
						MGR					BY	DATE	
									STK No:				
									MAT'L:				
									DESCR.				
									QUARTER BEND LLB UNION SERVICE FITTING (PJ CTS x PJ CTS)		DWG NUMBER E2611		
REV	ECR	DESCRIPTION	DATE	BY	CHKR								

TITLE TO AND OWNERSHIP OF THIS ENGINEERING DATA REMAINS IN Mueller Co. NO USE IS TO BE MADE OF THIS DATA EXCEPT AS SPECIFICALLY AUTHORIZED BY Mueller Co. ASSENT ON THE PART OF THE RECIPIENT TO THESE CONDITIONS IS PRESUMED.

DWG NUMBER
E2611
JJ-MRKTG