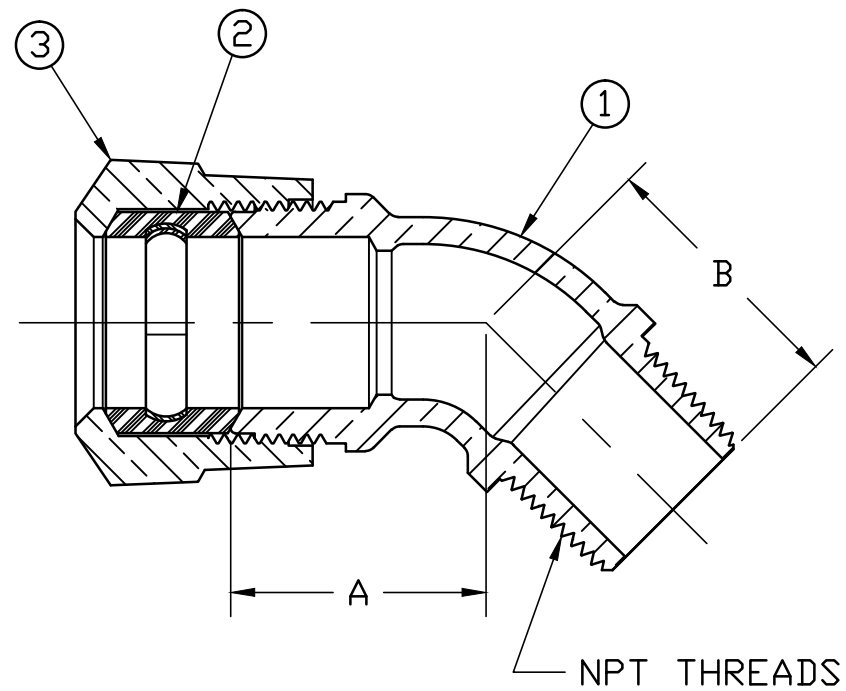


No.	DESCRIPTION	MATERIAL
1	SPUD	CAST LOW LEAD BRASS ALLOY
2	CTS GSKT	ASTM D2000(SBR)&410 STAINLESS STEEL
3	CONNX NUT	CAST BRASS ASTM B62 ALLOY C83600



SIZE	A	B
3/4"	1.33	1.38
1"	1.43	1.43

ALL WETTED PARTS ARE LOW LEAD BRASS ALLOY

FILEPATH: PROD-ENG\JAMESJONES\ASYSUBMITTALS\E2635SG

						DRFTR	RWB	4/22/16	JONES		
						CHKR					
						ENGR					
						MGR					
									UNLESS OTHERWISE NOTED	THIRD ANGLE PROJECTION	
									SURFACE PREPARATION:		
									BREAK CORNER(S) ---- .000		
									SURFACE FINISH -- XX RMS	REF. No.	SCALE
									TOLERANCE(S):		NONE
									LINEAR ----- ± .000		
									ANGULAR ----- ± 0°00'		
									STK No:		
									MAT'L:		
									DESCR.	EIGHTH BEND LLB SERVICE FITTING (MIP x SG)	
										DWG NUMBER	
										E2635SG	
									PER EST NO: DXXXX EST FIN WT = 0.0000 lbs		

DWG NUMBER
E2635SG
 JJ-MRKING

TITLE TO AND OWNERSHIP OF THIS ENGINEERING
 DATA REMAINS IN Mueller Co. NO USE IS TO BE
 MADE OF THIS DATA EXCEPT AS SPECIFICALLY
 AUTHORIZED BY Mueller Co. ASSENT ON THE PART
 OF THE RECIPIENT TO THESE CONDITIONS IS PRESUMED