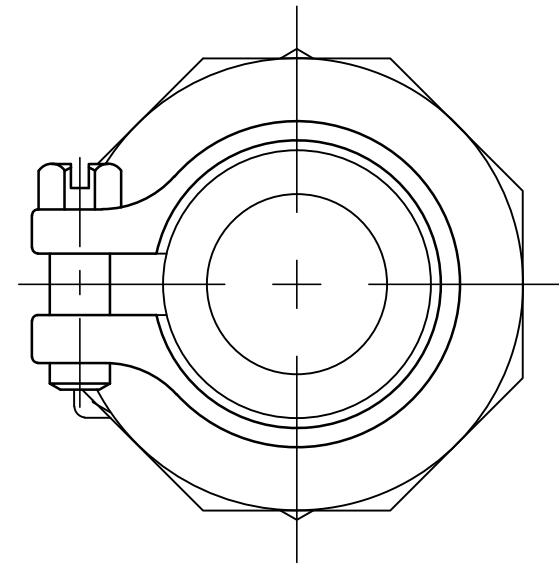
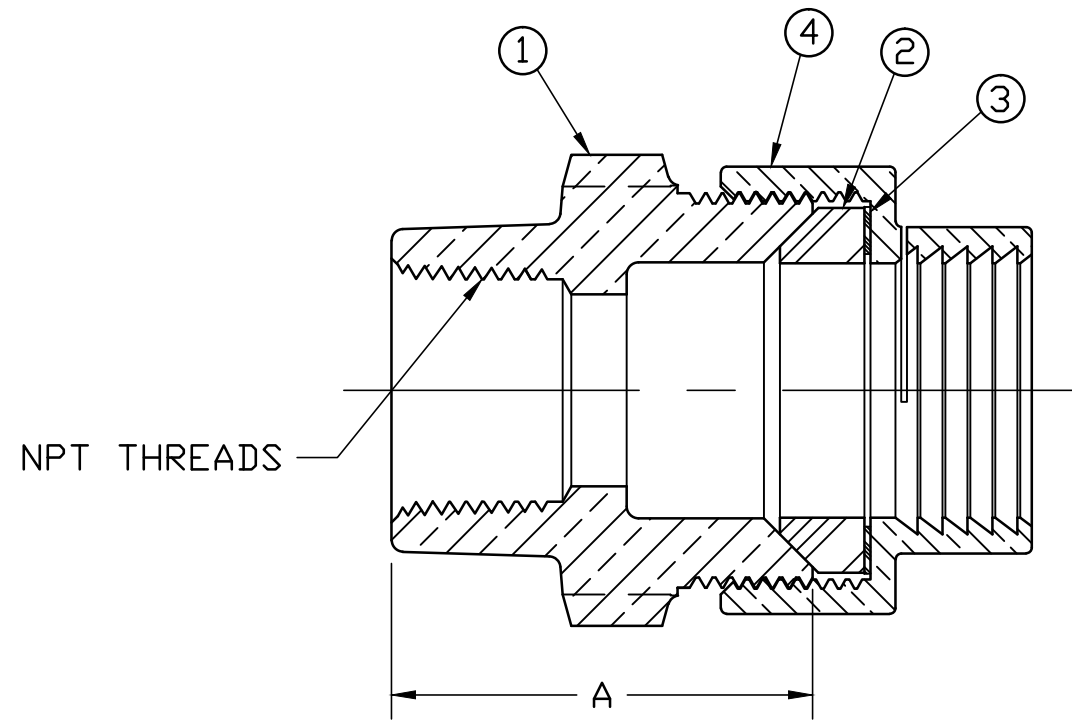


| No. | DESCRIPTION | MATERIAL                         |
|-----|-------------|----------------------------------|
| 1   | SPUD        | CAST LOW LEAD BRASS ALLOY        |
| 2   | COMP GSKT   | NITRILE ASTM D2000               |
| 3   | WASHER      | POLYPROPYLENE                    |
| 4   | CPLG NUT    | CAST BRASS ASTM B62 ALLOY C83600 |



| SIZE | A    |
|------|------|
| 1"   | 2.19 |
| 2"   | 2.69 |

ALL WETTED PARTS ARE LOW LEAD BRASS ALLOY

FILEPATH: PROD-ENG\JAMESJONES\ASYSUBMITTALS\E2641

| REV | ECR | DESCRIPTION | DATE | BY | CHKR | DRFTR                                     | RWB | 11/13/14 | <b>JONES</b><br><small>UNLESS OTHERWISE NOTED</small><br><small>SURFACE PREPARATION:</small><br><small>BREAK CORNER(S) ---- .000</small><br><small>SURFACE FINISH -- XX RMS</small><br><small>TOLERANCE(S):</small><br><small>LINEAR ----- ± .000</small><br><small>ANGULAR ----- ± 0°00'</small> |  | THIRD ANGLE PROJECTION        |
|-----|-----|-------------|------|----|------|---|-----|----------|---|--|-------------------------------|
|     |     |             |      |    |      |   |     |          |   |  | <br>REF. No.    SCALE<br>NONE |
|     |     |             |      |    |      |   |     |          | STK No:   |  |                               |
|     |     |             |      |    |      |   |     |          | MAT'L:  |  |                               |
|     |     |             |      |    |      |   |     |          | DESCR.  | STRAIGHT LLB SERVICE FITTING<br>(FIP x PJ (IPS PVC)) | DWG NUMBER<br>E2641           |
|     |     |             |      |    |      | PER EST NO: DXXXX EST FIN WT = 0.0000 lbs |     |          |   |  |                               |

DWG NUMBER  
E2641  
JJ-MRKTNG

TITLE TO AND OWNERSHIP OF THIS ENGINEERING DATA REMAINS IN Mueller Co. NO USE IS TO BE MADE OF THIS DATA EXCEPT AS SPECIFICALLY AUTHORIZED BY Mueller Co. ASSENT ON THE PART OF THE RECIPIENT TO THESE CONDITIONS IS PRESUMED