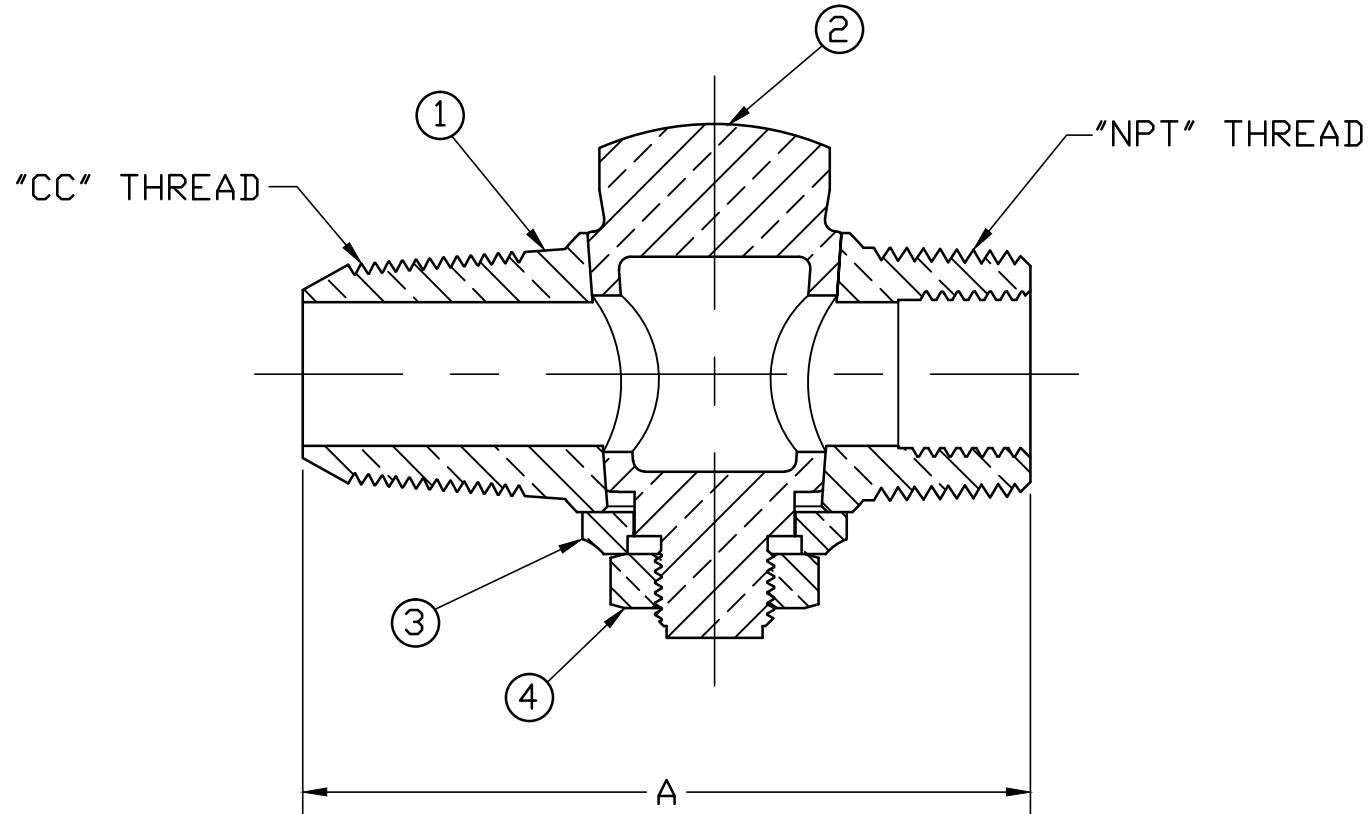


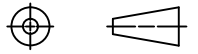
No.	DESCRIPTION	MATERIAL DESCRIPTION
1	BODY	CAST LOW LEAD BRASS ALLOY
2	KEY	CAST LOW LEAD BRASS ALLOY
3	KEY WASHER	BRONZE 413 PRESSED METAL
4	KEY NUT	CAST BRASS ASTM B62 ALLOY C83600



VALVE SIZE	DIM "A"	NPT SIZE
3/4"	3-51/64"	1"
1"	4-25/64"	1-1/4"
1 1/2"	6-1/32"	2"
2"	7-1/8"	2-1/2"

ALL WETTED PARTS ARE LOW LEAD BRASS ALLOY

FILEPATH: PROD-ENG\JJ\SUBMITTALS\E89

						DRFTR	RWB	2/4/10	JONES	UNLESS OTHERWISE NOTED THIRD ANGLE PROJECTION SURFACE PREPARATION: BREAK CORNER(S) ---- .000 SURFACE FINISH -- XX RMS TOLERANCE(S): LINEAR ----- ± .000 ANGULAR ----- ± 0°00'	 REF. No. SCALE
						CHKR					
						ENGR					
						MGR					
							BY	DATE	STK No:		
									MAT'L:		
									DESCR.	GROUND KEY CORPORATION LLB VALVE (AWWA TAPER x INC MIP)	
										DWG NUMBER E89	
REV	ECR	DESCRIPTION	DATE	BY	CHKR						

TITLE TO AND OWNERSHIP OF THIS ENGINEERING DATA REMAINS IN Mueller Co. NO USE IS TO BE MADE OF THIS DATA EXCEPT AS SPECIFICALLY AUTHORIZED BY Mueller Co. ASSENT ON THE PART OF THE RECIPIENT TO THESE CONDITIONS IS PRESUMED

DWG NUMBER
E89
JJ/MRKTG