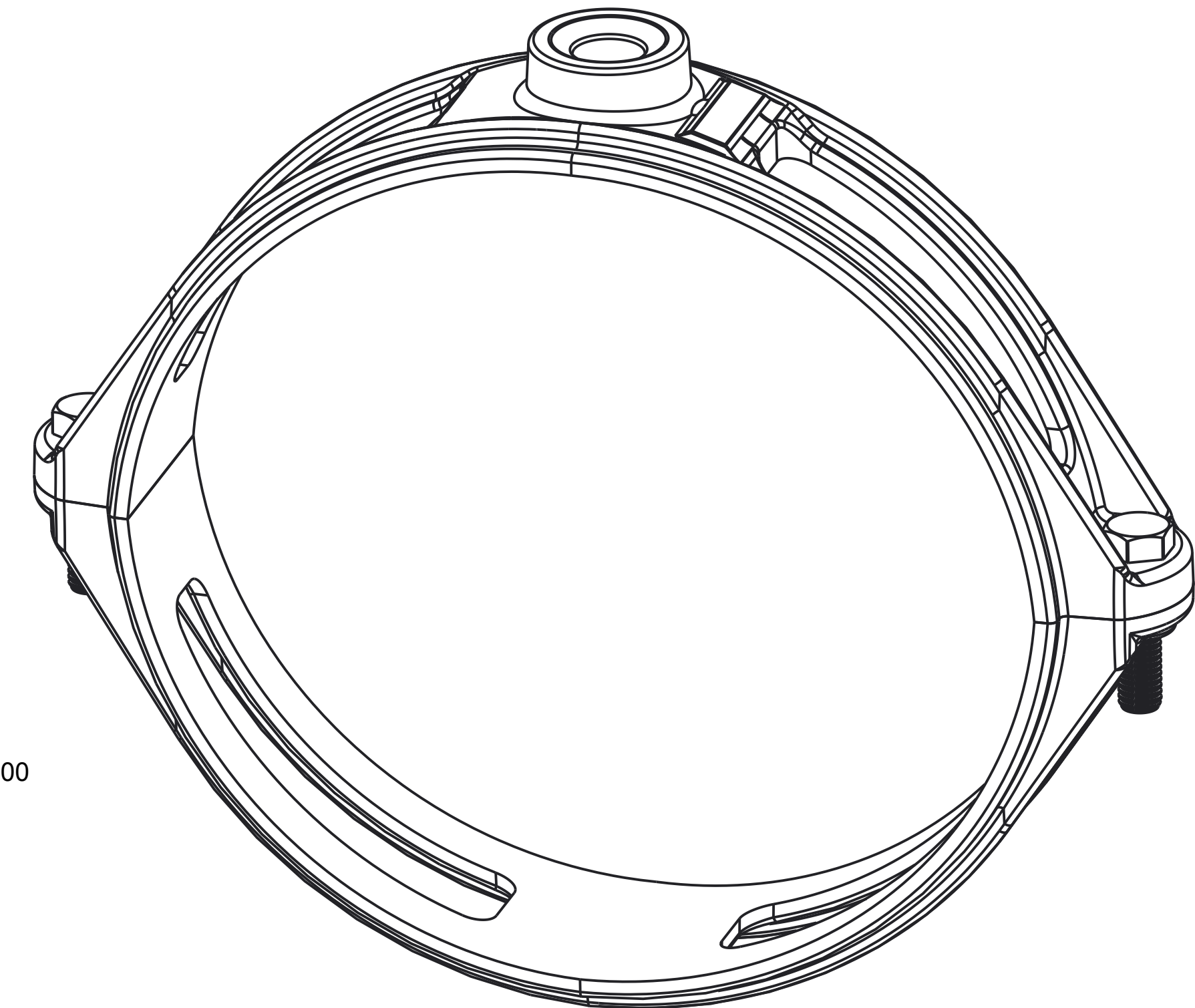
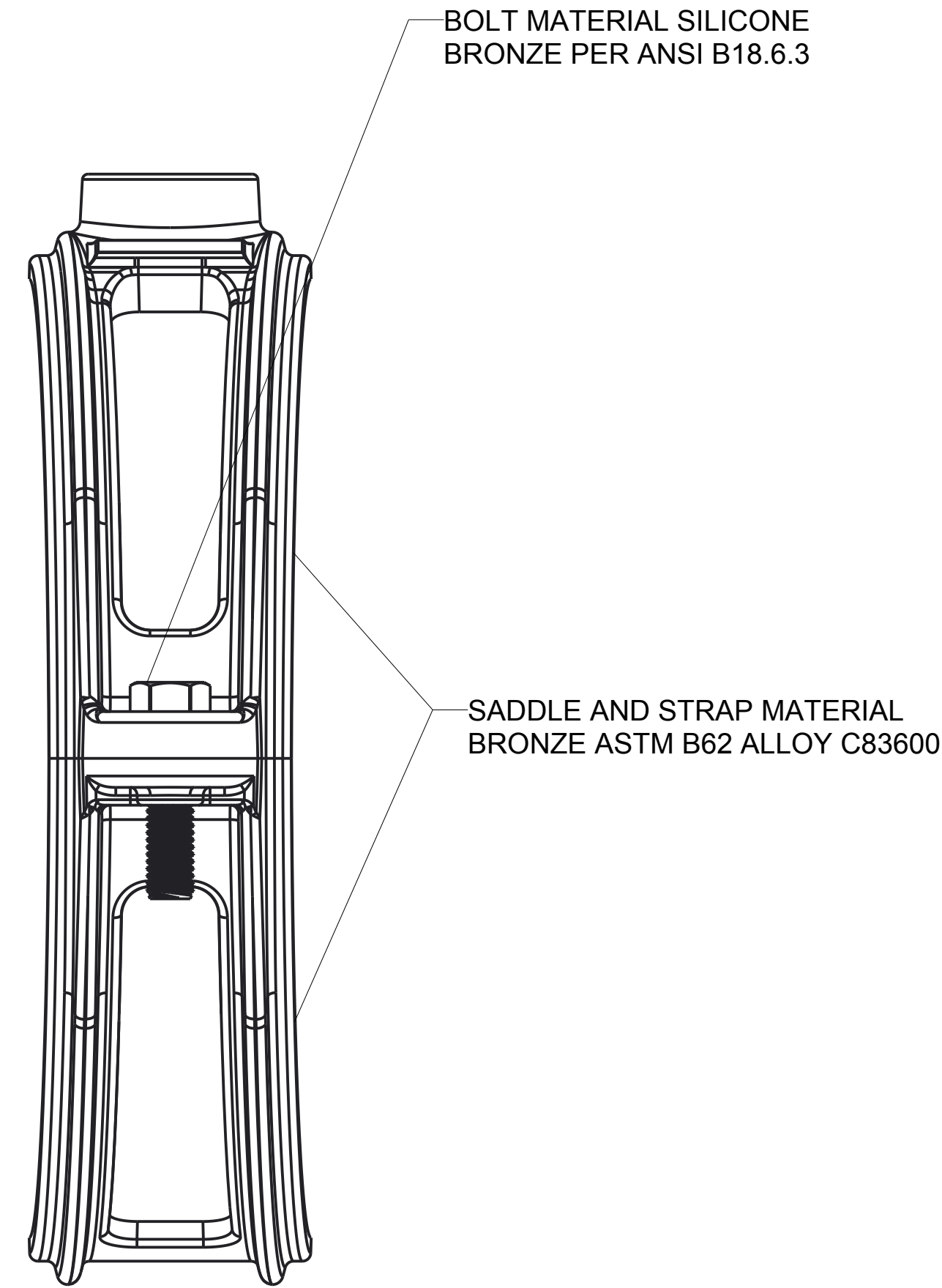
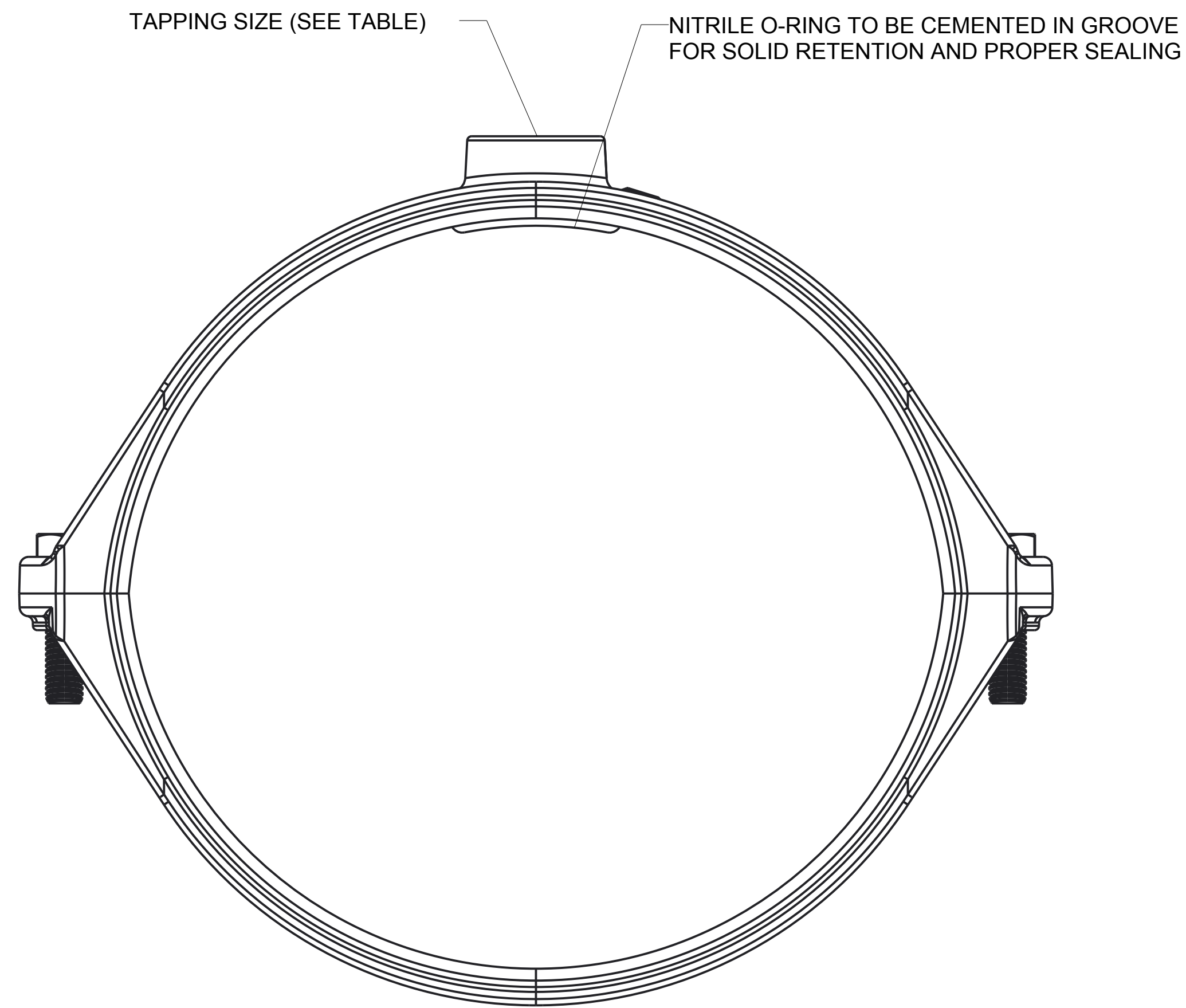
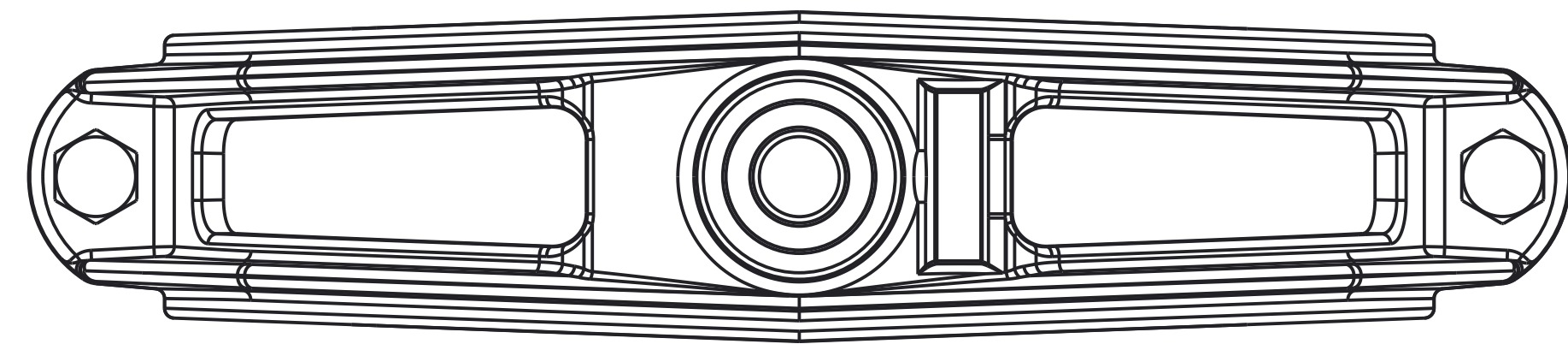


NOMINAL MAIN SIZE	J-996 AWWA/ANSI C900 PVC PIPE								J-995 SERIES IPS O.D. CONTROLLED PVC PIPE							
	C.C. TAPPING SIZE CATALOGUE SERIES #				F.I.P.T. TAPPING SIZE CATALOGUE SERIES #				C.C. TAPPING SIZE CATALOGUE SERIES #				F.I.P.T. TAPPING SIZE CATALOGUE SERIES #			
	.75"	1"	1.5"	2"	.75"	1"	1.5"	2"	.75"	1"	1.5"	2"	.75"	1"	1.5"	2"
2"	---				---				38-0515	38-0527	---		38-0514	38-0522	---	
2.5"	---				---				38-0517	38-0528	---		38-0516	38-0523	---	
3"	---				---				38-0519	38-0529	---		38-0518	38-0524	---	
4"	38-0560	38-0562	38-0565	38-0594	38-0559	38-0561	38-0564	38-0566	38-0521	38-0530	38-0547	---	38-0520	38-0525	38-0546	38-0548
6"	38-0625	38-0627	38-0573	38-0593	38-0624	38-0626	38-0572	38-0574	38-0532	38-0534	38-0552	---	38-0531	38-0533	38-0551	38-0553
8"	38-0621	38-0623	38-0581	38-0583	38-0620	38-0622	38-0580	38-0582	38-0541	38-0543	38-0557	---	38-0540	38-0542	38-0556	38-0558
10"	38-0600	38-0602	38-0589	38-0591	38-0599	38-0601	38-0588	38-0590	---	---	---	---	---	---	---	---
12"	38-0596	38-0598	38-0586	38-0587	38-0595	38-0597	38-0585	38-0584	---	---	---	---	---	---	---	---

--- DESIGNATES THAT SIZE/APPLICATION IS NOT AVAILABLE.

ALL ASSEMBLIES NSF-61 CERTIFIED A



J-995 SADDLE SHOWN ABOVE

ECO 1700011
 CHANGED DRAWING DESCRIPTION
 CHANGED TABLE DESCRIPTIONS
 UPDATED TABLE FOR IPS PVC PIPE
 CHANGED NOTE FOR NSF-61 CERTIFICATION
 CHANGED DRAWING TO D SIZED FORMAT

A

DR BY	JAB	9/01/09	UNLESS OTHERWISE NOTED	THIRD ANGLE PROJECTION	C.B. NO.
CHKR	NAF	9/03/09	BREAK CAST CORNER(S)		
ENGR	JWB	9/04/09	BREAK MACH CORNER(S)		
MGR			TOLERANCES UNLESS OTHERWISE NOTED	PURCH.	FINISH
MFG			LINEAR	ANGULAR	SCALE
TOOL					NONE
FBRY					STK. NO.
MATL	SEE PRINT				
			DESCR. J-995 & J-996 SERIES SERVICE SADDLES FOR C900 AND IPS PVC PIPE SIZE		NUMBER A 38-0000

ECO 1515090